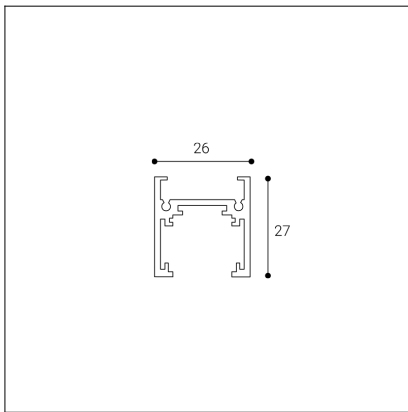
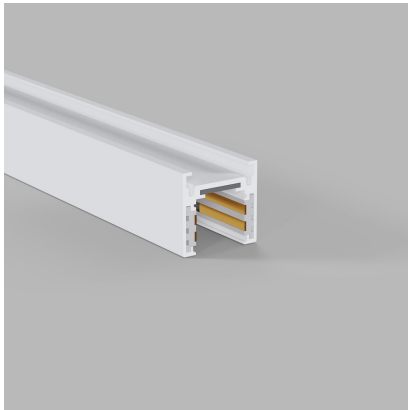


MAG II LOW TRACK 3M, W



Code: 6529101

Color: WHITE / 9003

Material: ALUMINIUM

Dimmable: DALI

Voltage / Frequency: 48V DC

Dimensions luminaire: 3000x26x27 mm

Product weight kg: 1 kg

Packing carton: 12

Package dimensions: 3003x28x28 mm

EN
Accessories for the MAG II LOW TRACK magnetic system.

DE
Zubehör für das Magnetsystem MAG II LOW TRACK.

CZ
Příslušenství pro magnetický systém MAG II LOW TRACK.

SK
Príslušenstvo pre magnetický systém MAG II LOW TRACK.

IT
Accessori per il sistema magnetico MAG II LOW TRACK.

FR
Accessoires pour le système magnétique II MAG LOW TRACK.

HU
Kiegészítők a MAG II LOW TRACK mágneses rendszerhez.

