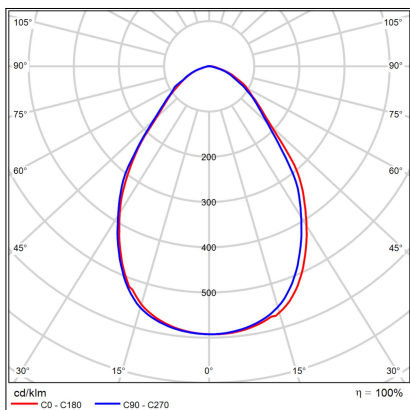
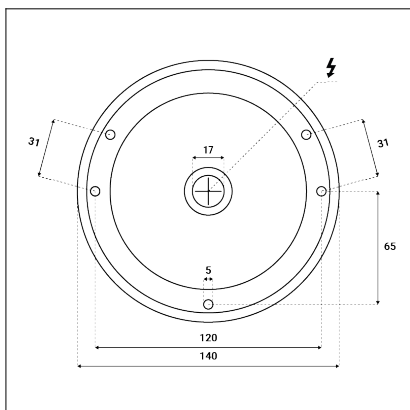
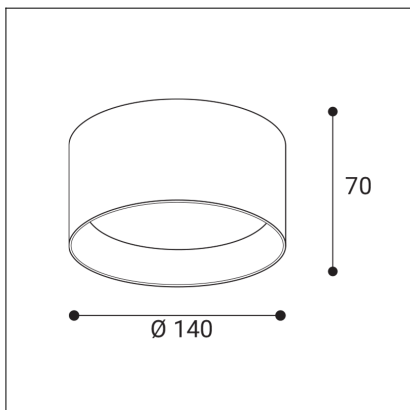


# ZETA ON M, N



<b>Code:</b>	1480356DT
<b>Color:</b>	NICKEL / 7032
<b>Material:</b>	ALUMINIUM/PMMA
<b>Power:</b>	9-15W
<b>Color temperature:</b>	3000K/3500K/4000K
<b>Lumen output:</b>	810-1350lm
<b>Efficacy:</b>	90lm/W
<b>Color rendering index:</b>	90+
<b>SDCM:</b>	< 3
<b>Light beam angle:</b>	90°
<b>Light Source:</b>	LED
<b>Dimmable:</b>	TRIAC
<b>LED lifetime:</b>	L80B20 50.000h
<b>Driver:</b>	250-350 mA
<b>Voltage / Frequency:</b>	220-240V AC, 50-60Hz
<b>Dimensions luminaire:</b>	d140x70 mm
<b>Product weight kg:</b>	0.7
<b>Packing carton:</b>	15
<b>Package dimensions:</b>	150x150x90 mm
<b>Remark:</b>	wall mountable - yes / switching driver 9-12-15W

