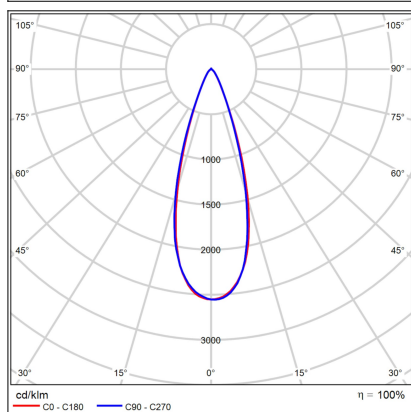
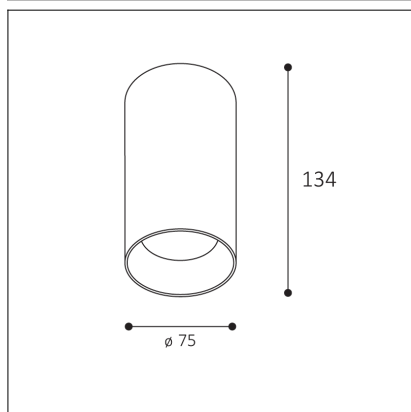


# TINY II L, B



<b>Code:</b> 1480553DT
<b>Color:</b> BLACK / 9017
<b>Material:</b> ALUMINIUM/PMMA
<b>Power:</b> 11W
<b>Color temperature:</b> 3000K/3500K/4000K
<b>Lumen output:</b> 970lm
<b>Efficacy:</b> 90lm/W
<b>Color rendering index:</b> 90+
<b>SDCM:</b> < 3
<b>Light beam angle:</b> 38°
<b>Light Source:</b> LED
<b>Dimmable:</b> TRIAC
<b>LED lifetime:</b> L80 B20 50.000h
<b>Driver:</b> 260 mA
<b>Voltage / Frequency:</b> 220-240V AC, 50-60Hz
<b>Dimensions luminaire:</b> d75x134 mm
<b>Product weight kg:</b> 0.5
<b>Package dimensions:</b> 80x80x115 mm
<b>Remark:</b> wall mountable - yes

