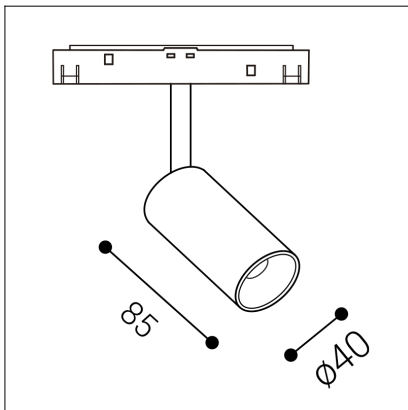


MAGO III S, W



Code:	6095951
Color:	WHITE / 9003
Material:	ALUMINIUM/PMMA
Color temperature:	3000K/3500K/4000K
Lumen output:	480lm
Efficacy:	80lm/W
Color rendering index:	90+
SDCM:	< 3
Light beam angle:	36°
Light Source:	LED
Dimmable:	ON/OFF
LED lifetime:	L80B20 50.000h
Driver:	150 mA
Voltage / Frequency:	48V DC
Dimensions luminaire:	d40x85 mm
Product weight kg:	0.25
Packing carton:	24
Package dimensions:	190x160x50 mm

