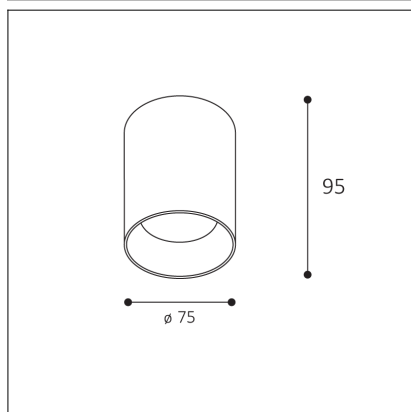


TINY II M, B



Code:	1480453D
Color:	BLACK / 9017
Material:	ALUMINIUM/PMMA
Power:	8W
Color temperature:	3000K/3500K/4000K
Lumen output:	720lm
Efficacy:	90lm/W
Color rendering index:	90+
SDCM:	< 3
Light beam angle:	38°
Light Source:	LED
Dimmable:	DALI/PUSH
LED lifetime:	L80 B20 50.000h
Driver:	200 mA
Voltage / Frequency:	220-240V AC, 50-60Hz
Dimensions luminaire:	d75x95 mm
Product weight kg:	0.4
Package dimensions:	80x80x115 mm
Remark:	wall mountable - yes

