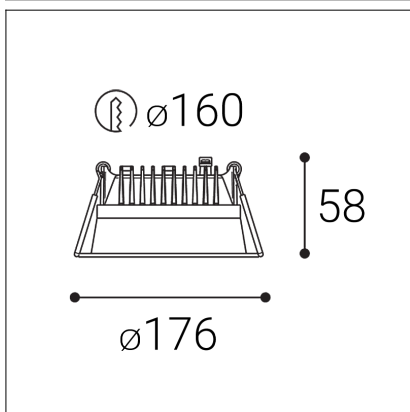


# ZETA II M, W



|                                       |   |
|---------------------------------------|---|
| <b>Code:</b>                          | 2550371   |
| <b>Color:</b>                         | WHITE / 9003  |
| <b>Material:</b>                      | ALUMINIUM/PMMA  |
| <b>Power:</b>                         | 11-23W  |
| <b>Color temperature:</b>             | 2700K/3000K/4000K   |
| <b>Lumen output:</b>                  | 1210-2530lm   |
| <b>Efficacy:</b>                      | 110lm/W   |
| <b>Color rendering index:</b>         | 90+   |
| <b>SDCM:</b>                          | < 3   |
| <b>Light beam angle:</b>              | 90°   |
| <b>Unified Glare Rating:</b>          | < 19  |
| <b>Light Source:</b>                  | LED   |
| <b>Dimmable:</b>                      | ON/OFF  |
| <b>LED lifetime:</b>                  | L80B20 50.000h  |
| <b>Driver:</b>                        | 300-600 mA  |
| <b>Voltage / Frequency:</b>           | 220-240V AC, 50-60Hz  |
| <b>Max. units per circuit output:</b> | B10:22, B13:29, B16:35, B20:44,<br>C10:31, C13:41, C16:50, C20:63 |
| <b>Dimensions luminaire:</b>          | d176x58 mm  |
| <b>Product weight kg:</b>             | 0.75  |
| <b>Packing carton:</b>                | 16  |
| <b>Package dimensions:</b>            | 255x200x80 mm   |
| <b>Remark:</b>                        | loop-in/loop-out  |

