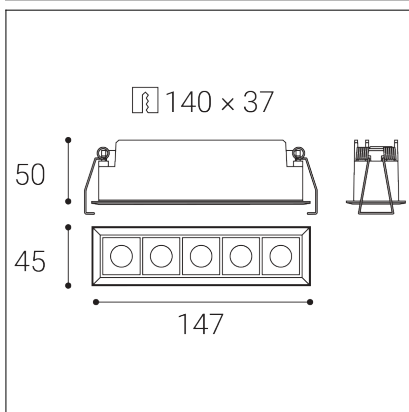


LINEAR II 5, B



Code:	2491353DT
Color:	BLACK / 9005
Material:	ALUMINIUM/PC
Power:	10W
Color temperature:	3000K/3500K/4000K
Lumen output:	800lm
Efficacy:	80lm/W
Color rendering index:	90+
SDCM:	< 3
Light beam angle:	45°
Light Source:	LED
Dimmable:	TRIAC
LED lifetime:	L80B20 50.000h
Driver:	300 mA
Voltage / Frequency:	220-240V AC, 50-60Hz
Dimensions luminaire:	147x45x50 mm
Installation hole:	140 x 37 mm
Product weight kg:	0.3
Package dimensions:	190x60x80 mm

