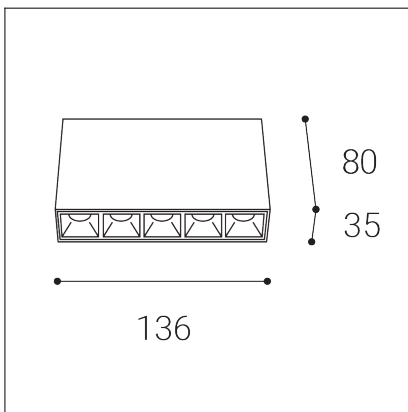
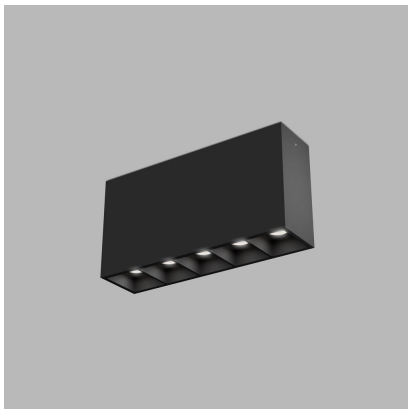


LINEAR II ON 5, B



Code: 1491153DT
Color: BLACK / 9005
Material: ALUMINIUM/PC
Power: 10W
Color temperature: 3000K/3500K/4000K
Lumen output: 800lm
Efficacy: 80lm/W
Color rendering index: 90+
SDCM: < 3
Light beam angle: 45°
Light Source: LED
Dimmable: TRIAC
LED lifetime: L80B20 50.000h
Driver: 250 mA
Voltage / Frequency: 220-240V AC, 50-60Hz
Dimensions luminaire: 136x35x80 mm
Product weight kg: 0.38
Package dimensions: 145x40x90 mm
Remark: wall mountable - yes

