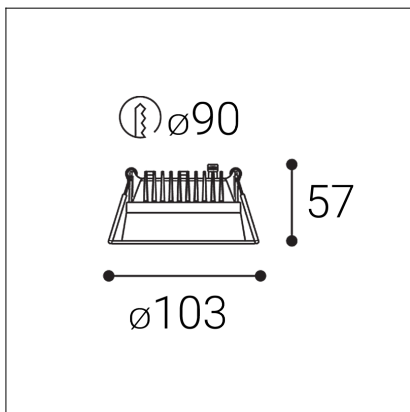


ZETA II XS, B



Code:	2550173DT
Color:	BLACK / 9005
Material:	ALUMINIUM/PMMA
Power:	10W
Color temperature:	2700K/3000K/4000K
Lumen output:	1100lm
Efficacy:	110lm/W
Color rendering index:	90+
SDCM:	< 3
Light beam angle:	90°
Unified Glare Rating:	< 19
Light Source:	LED
Dimmable:	TRIAC
LED lifetime:	L80B20 50.000h
Driver:	250 mA
Voltage / Frequency:	220-240V AC, 50-60Hz
Max. units per circuit output:	B10:46, B13:60, B16:74, B20:92, C10:66, C13:85, C16:105, C20:139
Dimensions luminaire:	d103x57 mm
Product weight kg:	0.4
Packing carton:	1
Package dimensions:	180x130x80 mm
Remark:	loop-in/loop-out

