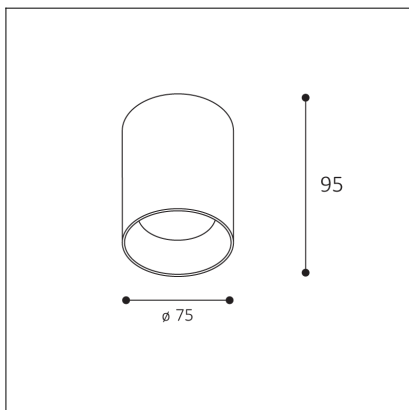


TINY II M, N



Code: 1480456DT
Color: NICKEL / 7032
Material: ALUMINIUM/PMMA
Power: 11W
Color temperature: 3000K/3500K/4000K
Lumen output: 970lm
Efficacy: 90lm/W
Color rendering index: 90+
SDCM: < 3
Light beam angle: 38°
Light Source: LED
Dimmable: TRIAC
LED lifetime: L80 B20 50.000h
Driver: 260 mA
Voltage / Frequency: 220-240V AC, 50-60Hz
Dimensions luminaire: d75x95 mm
Product weight kg: 0.4
Package dimensions: 80x80x115 mm
Remark: wall mountable - yes

