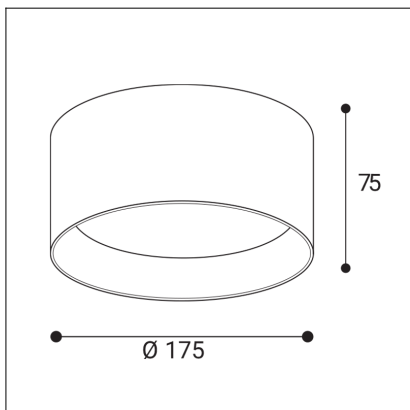


ZETA ON L, N



Code:	1481426DT
Color:	NICKEL / 7032
Material:	ALUMINIUM/PMMA
Power:	14-20W
Color temperature:	2700K
Lumen output:	1260-1800lm
Efficacy:	90lm/W
Color rendering index:	90+
SDCM:	< 3
Light beam angle:	90°
Light Source:	LED
Dimmable:	TRIAC
LED lifetime:	L80B20 50.000h
Driver:	350-500 mA
Voltage / Frequency:	220-240V AC, 50-60Hz
Dimensions luminaire:	d175x75 mm
Product weight kg:	0.9
Package dimensions:	190x190x95 mm
Remark:	wall mountable - yes / switching driver 14-16-18-20W

