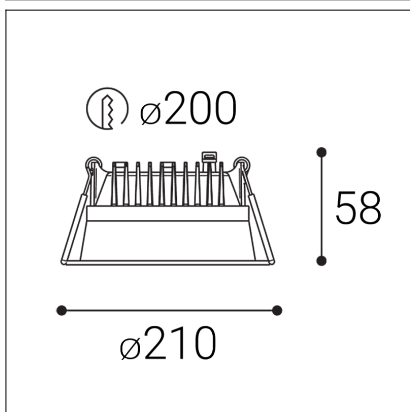


# ZETA II L, B



<b>Code:</b>	2550473DT
<b>Color:</b>	BLACK / 9005
<b>Material:</b>	ALUMINIUM/PMMA
<b>Power:</b>	27W
<b>Color temperature:</b>	2700K/3000K/4000K
<b>Lumen output:</b>	2970lm
<b>Efficacy:</b>	110lm/W
<b>Color rendering index:</b>	90+
<b>SDCM:</b>	< 3
<b>Light beam angle:</b>	90°
<b>Unified Glare Rating:</b>	< 19
<b>Light Source:</b>	LED
<b>Dimmable:</b>	TRIAC
<b>LED lifetime:</b>	L80B20 50.000h
<b>Driver:</b>	700 mA
<b>Voltage / Frequency:</b>	220-240V AC, 50-60Hz
<b>Max. units per circuit output:</b>	B10:22, B13:29, B16:35, B20:44, C10:31, C13:41, C16:50, C20:63
<b>Dimensions luminaire:</b>	d210x58 mm
<b>Product weight kg:</b>	1
<b>Packing carton:</b>	1
<b>Package dimensions:</b>	295x230x90 mm
<b>Remark:</b>	loop-in/loop-out

