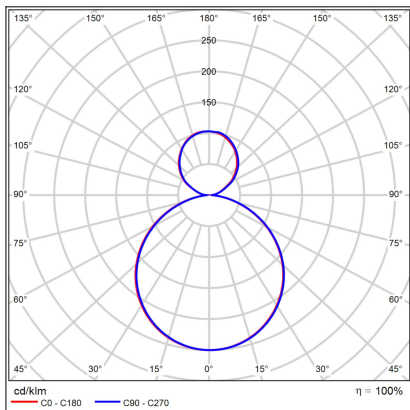
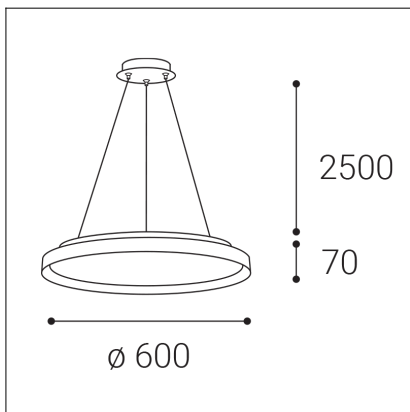


MOON 60 P/N-Z, BCH



Code: 32749737DT

Color: BLACK/CHAMPAGNE / 9017/1036

Material: METAL/PMMA

Power: 60W (50+10)

Color temperature: 2700K/3000K/4000K

Lumen output: 3500+700lm

Efficacy: 70lm/W

Color rendering index: 90+

SDCM: < 3

Light beam angle: 160°

Light Source: LED

Dimmable: TRIAC

LED lifetime: L80B20 50.000h

Driver: 1200 + 250 mA

Voltage / Frequency: 220-240V AC, 50-60Hz

Dimensions luminaire: d600x70 mm

Product weight kg: 8

Length suspension: 2500 mm

Package dimensions: 660x660x95+460x460x120 mm

