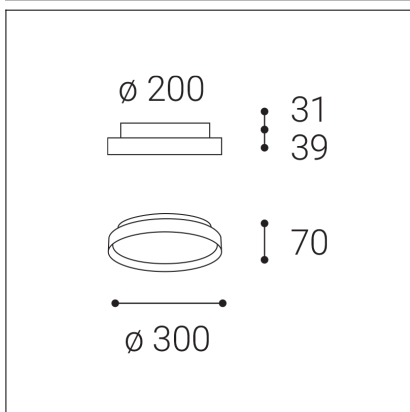


# MOON 30, BCH



<b>Code:</b>	12761737DT
<b>Color:</b>	BLACK/CHAMPAGNE / 9017/1036
<b>Material:</b>	METAL/PMMA
<b>Power:</b>	25W (20+5)
<b>Color temperature:</b>	2700K/3000K/4000K
<b>Lumen output:</b>	1400+350lm
<b>Efficacy:</b>	70lm/W
<b>Color rendering index:</b>	90+
<b>SDCM:</b>	< 3
<b>Light beam angle:</b>	160°
<b>Light Source:</b>	LED
<b>Dimmable:</b>	TRIAC
<b>LED lifetime:</b>	L80B20 50.000h
<b>Driver:</b>	500 + 150 mA
<b>Voltage / Frequency:</b>	220-240V AC, 50-60Hz
<b>Dimensions luminaire:</b>	d300x70 mm
<b>Product weight kg:</b>	2.4
<b>Package dimensions:</b>	360x360x95 mm
<b>Remark:</b>	wall mountable - yes

