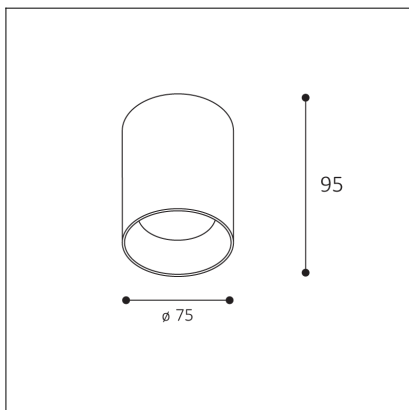


# TINY II M, B



<b>Code:</b>	1480423DT
<b>Color:</b>	BLACK / 9017
<b>Material:</b>	ALUMINIUM/PMMA
<b>Power:</b>	11W
<b>Color temperature:</b>	2700K
<b>Lumen output:</b>	970lm
<b>Efficacy:</b>	90lm/W
<b>Color rendering index:</b>	90+
<b>SDCM:</b>	< 3
<b>Light beam angle:</b>	38°
<b>Light Source:</b>	LED
<b>Dimmable:</b>	TRIAC
<b>LED lifetime:</b>	L80 B20 50.000h
<b>Driver:</b>	260 mA
<b>Voltage / Frequency:</b>	220-240V AC, 50-60Hz
<b>Dimensions luminaire:</b>	d75x95 mm
<b>Product weight kg:</b>	0.4
<b>Package dimensions:</b>	80x80x115 mm
<b>Remark:</b>	wall mountable - yes

