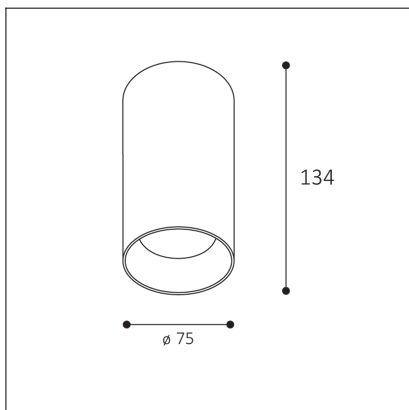


TINY II L, B



Code: 1480553D
Color: BLACK / 9017
Material: ALUMINIUM/PMMA
Power: 8W
Color temperature: 3000K/3500K/4000K
Lumen output: 720lm
Efficacy: 90lm/W
Color rendering index: 90+
SDCM: < 3
Light beam angle: 38°
Light Source: LED
Dimmable: DALI/PUSH
LED lifetime: L80 B20 50.000h
Driver: 200 mA
Voltage / Frequency: 220-240V AC, 50-60Hz
Dimensions luminaire: d75x134 mm
Product weight kg: 0.5
Package dimensions: 80x80x115 mm
Remark: wall mountable - yes

