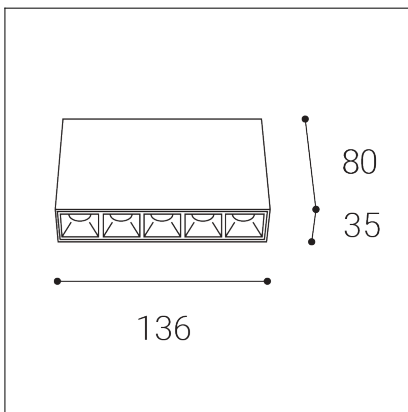
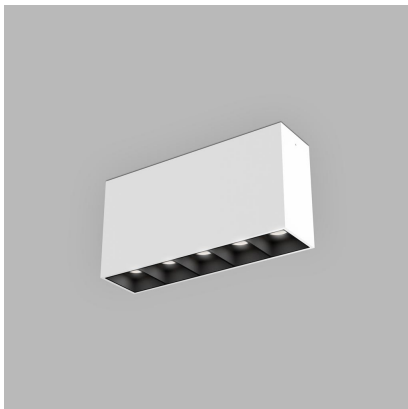


# LINEAR II ON 5, W



<b>Code:</b> 1491151DT
<b>Color:</b> WHITE / 9003
<b>Material:</b> ALUMINIUM/PC
<b>Power:</b> 10W
<b>Color temperature:</b> 3000K/3500K/4000K
<b>Lumen output:</b> 800lm
<b>Efficacy:</b> 80lm/W
<b>Color rendering index:</b> 90+
<b>SDCM:</b> < 3
<b>Light beam angle:</b> 45°
<b>Light Source:</b> LED
<b>Dimmable:</b> TRIAC
<b>LED lifetime:</b> L80B20 50.000h
<b>Driver:</b> 250 mA
<b>Voltage / Frequency:</b> 220-240V AC, 50-60Hz
<b>Dimensions luminaire:</b> 136x35x80 mm
<b>Product weight kg:</b> 0.38
<b>Package dimensions:</b> 145x40x90 mm
<b>Remark:</b> wall mountable - yes

