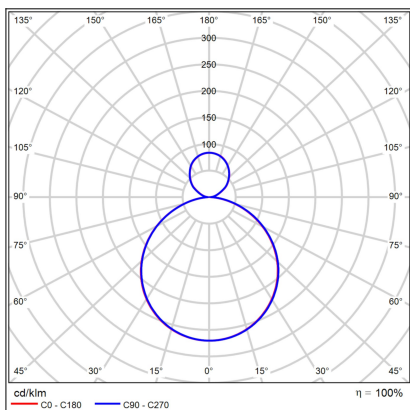
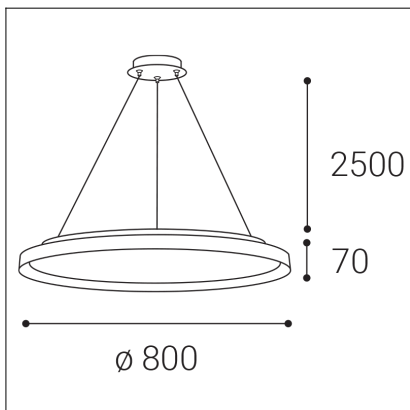


MOON 80 P/N-Z, BCH



Code: 32750737DT

Color: BLACK/CHAMPAGNE / 9017/1036

Material: METAL/PMMA

Power: 88W (76+12)

Color temperature: 2700K/3000K/4000K

Lumen output: 5320+840lm

Efficacy: 70lm/W

Color rendering index: 90+

SDCM: < 3

Light beam angle: 160°

Light Source: LED

Dimmable: TRIAC

LED lifetime: L80B20 50.000h

Driver: 2x 950 + 300 mA

Voltage / Frequency: 220-240V AC, 50-60Hz

Dimensions luminaire: d800x70 mm

Product weight kg: 14

Length suspension: 2500 mm

Package dimensions: 860x860x95+660x660x120 mm

