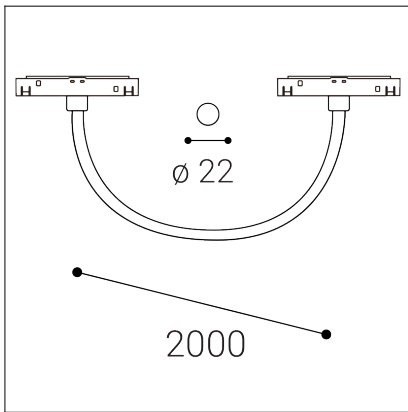
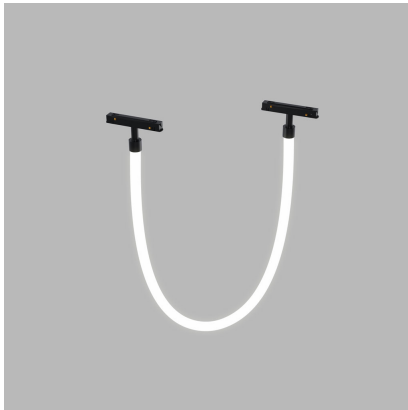


# MAG HOSE 200, B



<b>Code:</b>	6301333
<b>Color:</b>	BLACK / 9005
<b>Material:</b>	SILICONE
<b>Power:</b>	32W
<b>Color temperature:</b>	3000K
<b>Lumen output:</b>	1920lm
<b>Efficacy:</b>	60lm/W
<b>Color rendering index:</b>	90+
<b>SDCM:</b>	< 3
<b>Light beam angle:</b>	360°
<b>Light Source:</b>	LED
<b>Dimmable:</b>	ON/OFF
<b>LED lifetime:</b>	L80B20 50.000h
<b>Voltage / Frequency:</b>	48V DC
<b>Dimensions luminaire:</b>	d22x2000 mm
<b>Packing carton:</b>	10
<b>Package dimensions:</b>	730x300x390 mm



**5**  
year  
warranty