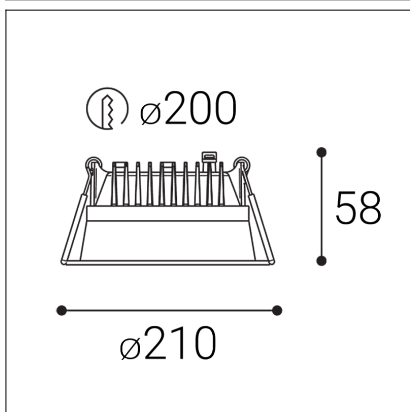


ZETA II L, W



| | |
|---------------------------------------|---|
| Code: | 2550471 |
| Color: | WHITE / 9003 |
| Material: | ALUMINIUM/PMMA |
| Power: | 11-27W |
| Color temperature: | 2700K/3000K/4000K |
| Lumen output: | 1210-2970lm |
| Efficacy: | 110lm/W |
| Color rendering index: | 90+ |
| SDCM: | < 3 |
| Light beam angle: | 90° |
| Unified Glare Rating: | < 19 |
| Light Source: | LED |
| Dimmable: | ON/OFF |
| LED lifetime: | L80B20 50.000h |
| Driver: | 300-700 mA |
| Voltage / Frequency: | 220-240V AC, 50-60Hz |
| Max. units per circuit output: | B10:22, B13:29, B16:35, B20:44, C10:31, C13:41, C16:50, C20:63 |
| Dimensions luminaire: | d210x58 mm |
| Product weight kg: | 1 |
| Packing carton: | 8 |
| Package dimensions: | 295x230x90 mm |
| Remark: | loop-in/loop-out |

