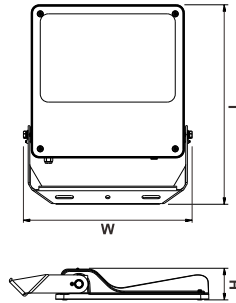
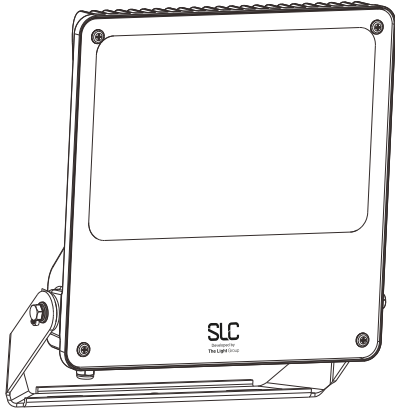


# Alux

SLC1435  
SLC1436

SLC1437  
SLC1438

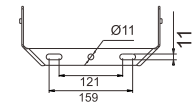
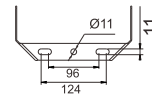
**SLC**  
Developed by  
The Light Group



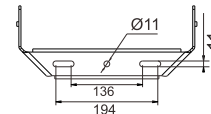
	L	W	H
50W	292mm	245mm	55mm
100W	353mm	287mm	65mm
200W	447mm	359mm	75mm
300W	495mm	419mm	75mm

50W

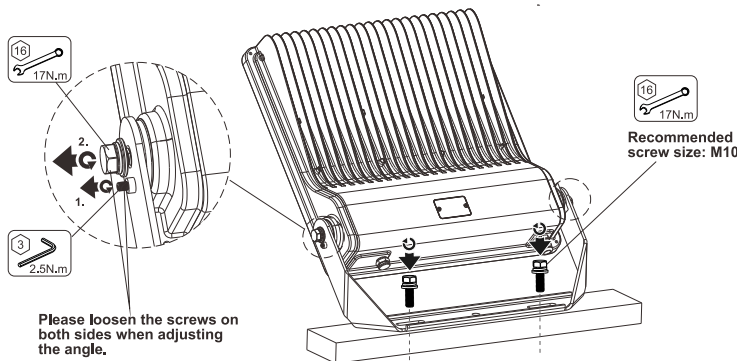
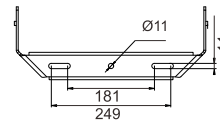
100W



200W



300W

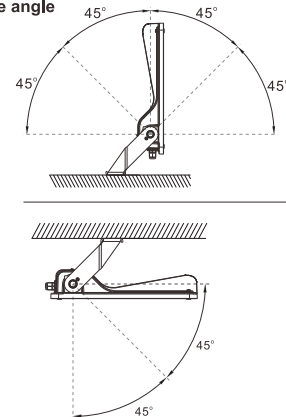


Please loosen the screws on both sides when adjusting the angle.

Recommended screw size: M10

1m cable

Rotatable angle



### Applications

- The product is designed for recreational sports (tennis courts, basketball courts...), exhibition center, shopping mall, stadium, accent lighting, parking lots, coastal areas, fishing boat and similar applications. For other special applications, please consult your salesperson to confirm firstly.
- Too much dust or oil accumulation on PC lens will stop the lighting emit and heat dissipation, it will change lighting distribution, and cause high heat inside to affect LED chips performance. For such environments, we suggest you to clean the luminaire regularly to ensure longer lifespan. Or you need to use product with glass cover and better heat performance instead.
- The suggested mounting height of the luminaire is 3-25 m.

### AC cords

L	brown	black
N	blue	white
⊕	yellow/green	green



### DIM cords

Note: color for dim cords subject to the cable label on luminaire

Product Specifications	50W	100W	200W	300W
Input Voltage	100-277VAC / 120-277VAC / 100-240VAC / 220-240VAC (Subject to the input voltage on nameplate)			
Power Frequency	50/60 Hz			
Outlook Dimensions	292x245x55mm	353x287x65mm	447x359x75mm	495x419x75mm
Luminaire Net Weight	1.9±0.3kg	2.8±0.3kg	5.2±0.3kg	6.4±0.3kg
Projected Area	0.05m <sup>2</sup>	0.08m <sup>2</sup>	0.13m <sup>2</sup>	0.17m <sup>2</sup>
Working Temperature	-30°C to +45°C(-22°F to +113°F)			
Storing Temperature	-40°C to +70°C(-40°F to +158°F)			



**NO:** Må installeres av godkjent installatør  
**EN:** Only to be installed by an authorized electrician  
**DE:** Nur von einer autorisierten Elektrofachkraft installieren lassen  
**FI:** Asenna vain valtuutettu sähköasentaja  
**FR:** Seulement pour être installé par un électricien autorisé  
**IS:** Aðeins skal setja upp af viðurkenndum rafvirkri  
**ES:** Solo para ser instalado por un electricista autorizado.  
**IT:** Solo per essere installato da un elettricista autorizzato



**NO:** Slå av strømmen før montering  
**EN:** Power off before installing  
**DE:** Schalten Sie vor der Installation die Stromversorgung aus  
**FI:** Katkaise virta ennen asennusta  
**FR:** Couper le courant avant d'installer  
**IS:** Slökktu á orku áður en þú setur upp  
**ES:** Apague la alimentación antes de instalar  
**IT:** Spegnerne l'alimentazione prima di installare



Management, Operation  
and Maintenance