

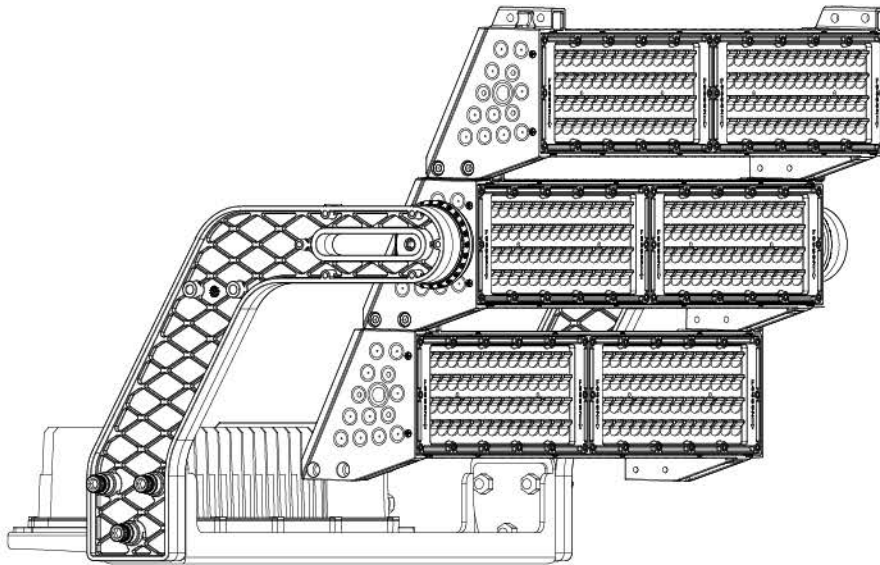
Sky

SLC8943
SLC8944
SLC8945

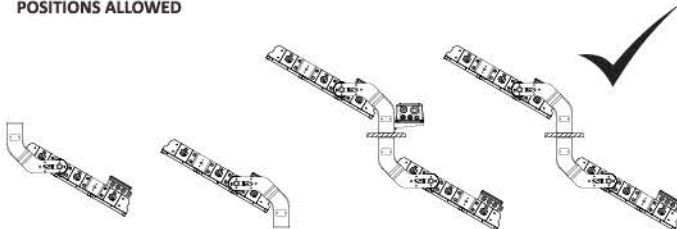
SLC8946
SLC8947
SLC8948

SLC

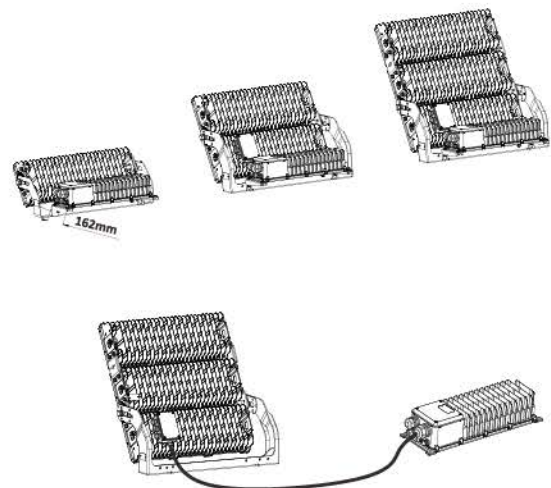
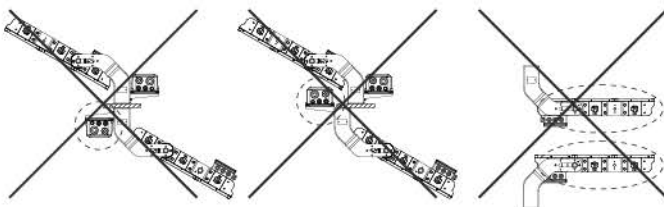
Developed by
The Light Group



POSITIONS ALLOWED



POSITIONS NOT ALLOWED



NO: Må installeres av godkjent installatør
EN: Only to be installed by an authorized electrician
DE: Nur von einer autorisierten Elektrofachkraft installieren lassen
FI: Asenna vain valtuutettu sähköasentaja
FR: Seulement pour être installé par un électricien autorisé
IS: Aðeins skal setja upp af viðurkenndum rafvirkri
ES: Solo para ser instalado por un electricista autorizado.
IT: Solo per essere installato da un elettricista autorizzato



NO: Slå av strømmen før montering
EN: Power off before installing
DE: Schalten Sie vor der Installation die Stromversorgung aus
FI: Katkaise virta ennen asennusta
FR: Couper le courant avant d'installer
IS: Slökktu á orku áður en þú setur upp
ES: Apague la alimentación antes de instalar
IT: Spegnerne l'alimentazione prima di installare



Management, Operation
and Maintenance

Sky

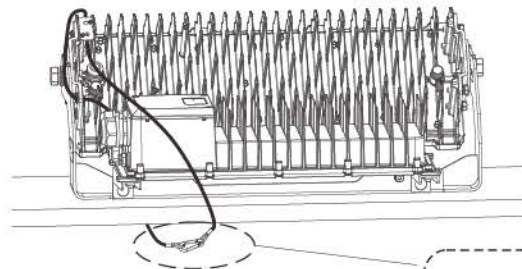
SLC8943
SLC8944
SLC8945

SLC8946
SLC8947
SLC8948

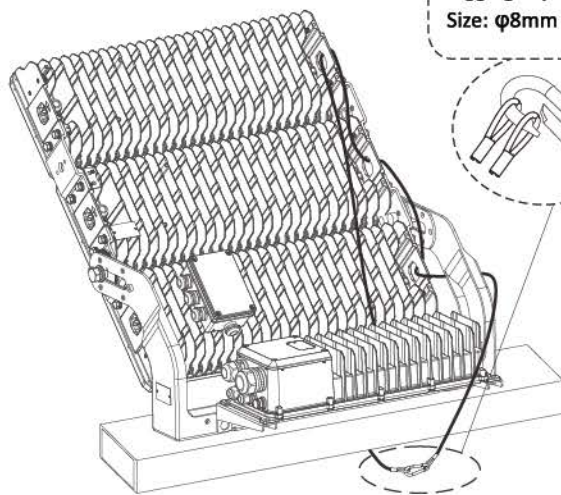
SLC

Developed by
The Light Group

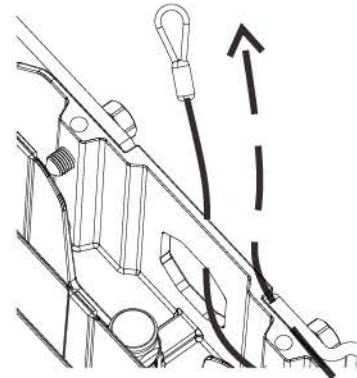
SAFETY ROPE MOUNT



* When installing the safety rope, please ensure the safety rope pass through the holes of the luminaire.

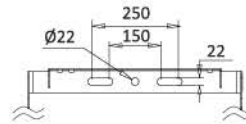
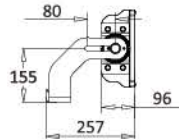
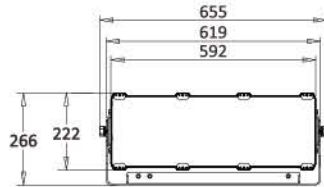


Rigging keychain
Size: $\varnothing 8\text{mm} \times 80\text{mm}$

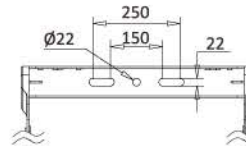
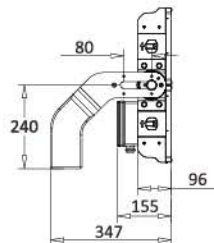
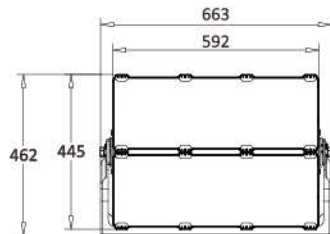


LUMINAIRE (Unit: mm)

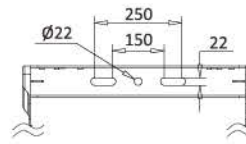
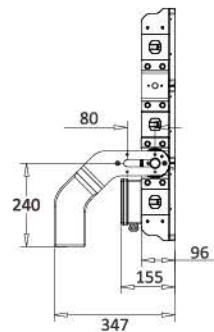
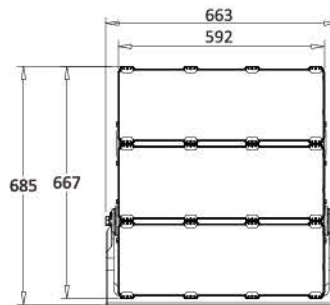
600W/750W



1200W/1500W

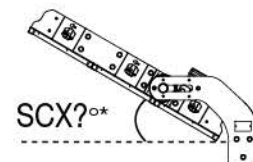


1800W



Luminaire Windage Area(SCx)

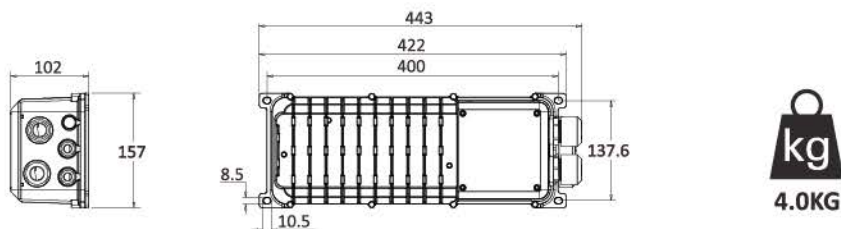
Power	SCX0°*	SCX5°*	SCX10°*	SCX15°*	SCX20°*
600W/750W	0.04m ²	0.0569m ²	0.0705m ²	0.0777m ²	0.0848m ²
1200W/1500W	0.04m ²	0.0706m ²	0.0927m ²	0.11m ²	0.1286m ²
1800W	0.04m ²	0.0843m ²	0.1149m ²	0.15m ²	0.1724m ²



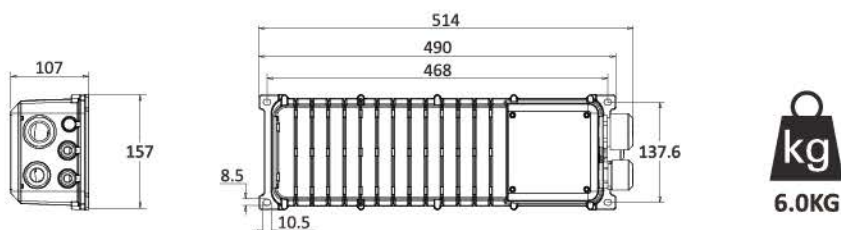
* These data refer to the worst case at indicated angle

DRIVER BOX (Unit: mm)

AHF-800SP-400DD/AHF-1K2SP-400DD



AHF-1K8SP-400DD



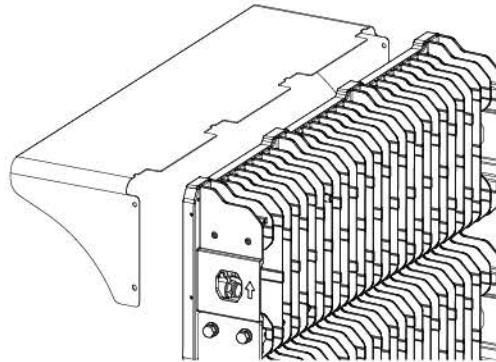
Driver Model	Luminaire Wattage	MCB Type	Input Voltage	Quantity
AHF-800SP-400DD	600W/750W	MCB 16A B Type	AC 200-480	3
		MCB 32A B Type	AC 200-480	5
		MCB 16A C Type	AC 200-480	3
		MCB 32A C Type	AC 200-480	5

Driver Model	Luminaire Wattage	MCB Type	Input Voltage	Quantity
AHF-1K2SP-400DD	1200W	MCB 16A B Type	AC 200-480	2
		MCB 32A B Type	AC 200-480	4
		MCB 16A C Type	AC 200-480	2
		MCB 32A C Type	AC 200-480	4

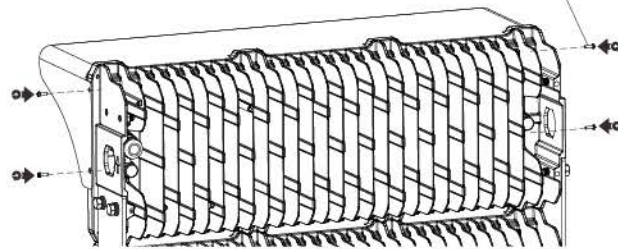
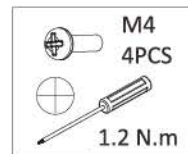
Driver Model	Luminaire Wattage	MCB Type	Input Voltage	Quantity
AHF-1K8SP-400DD	1500W/1800W	MCB 16A B Type	AC 200-420	1
		MCB 32A B Type	AC 200-420	3
		MCB 16A C Type	AC 200-420	1
		MCB 32A C Type	AC 200-420	3

VISOR MOUNT

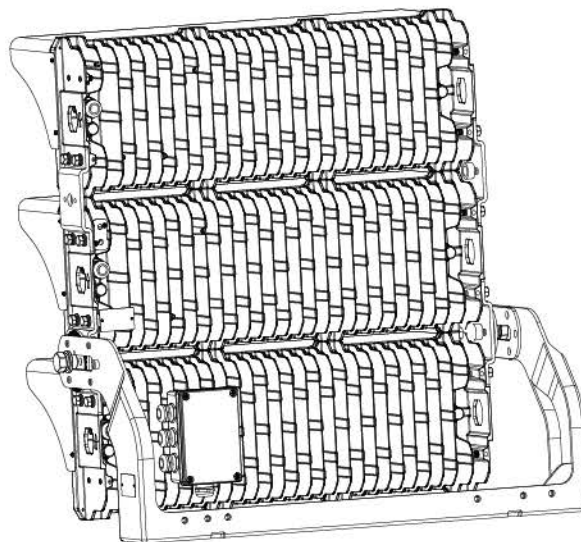
1



2



3



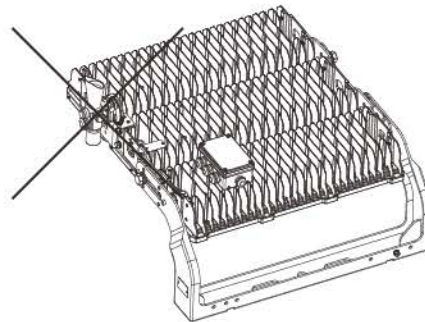
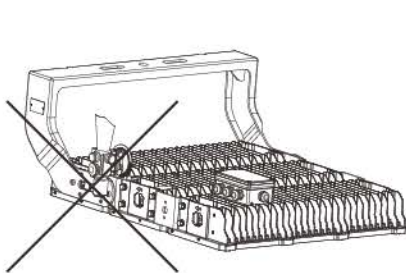
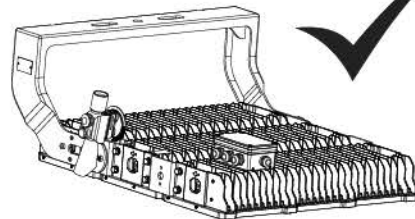
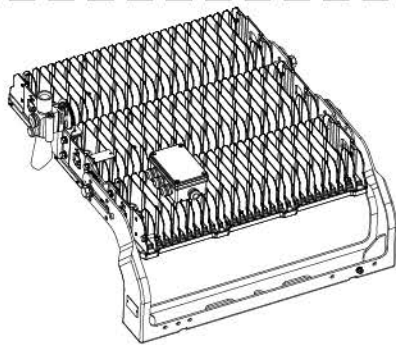
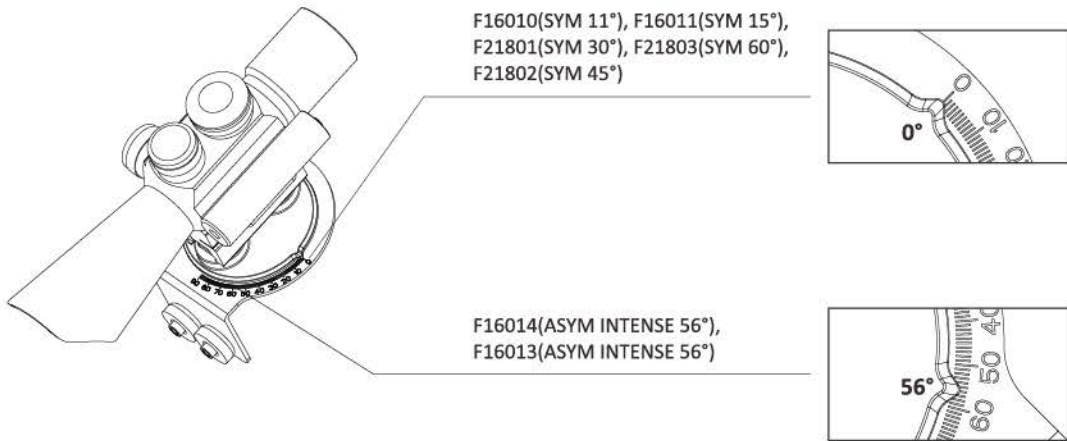
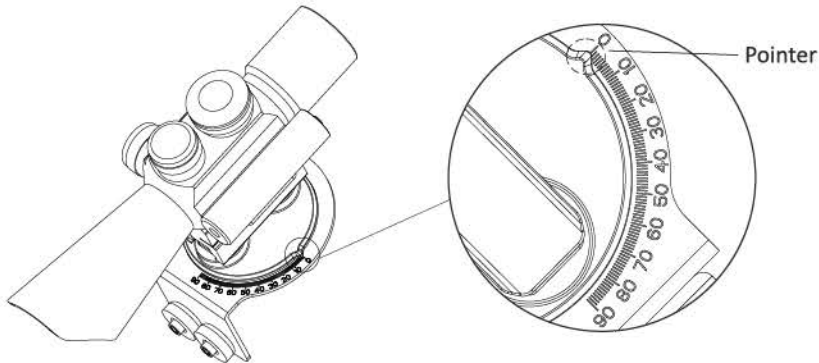
Sky

SLC8943
SLC8944
SLC8945

SLC8946
SLC8947
SLC8948

SLC

Developed by
The Light Group



Sky

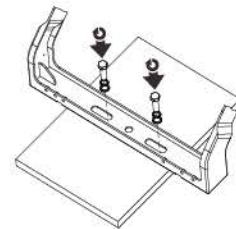
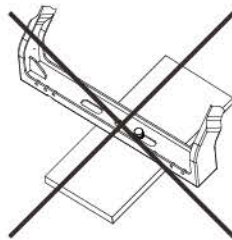
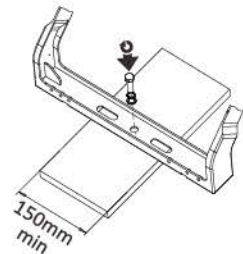
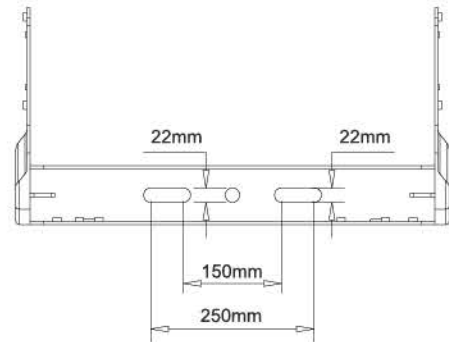
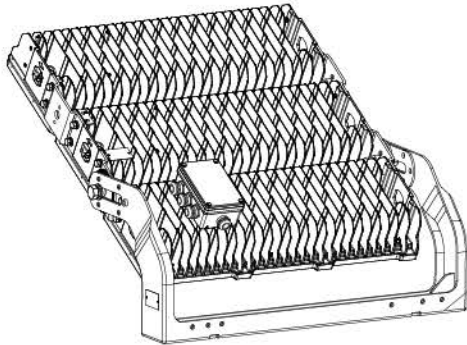
SLC8943
SLC8944
SLC8945

SLC8946
SLC8947
SLC8948

SLC

Developed by
The Light Group

OVERSLUNG INSTALLATION

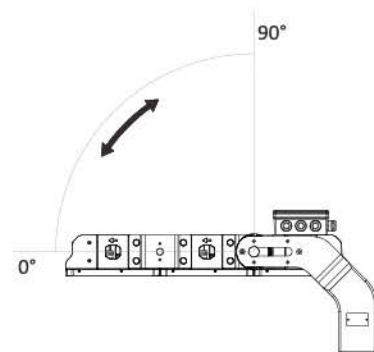
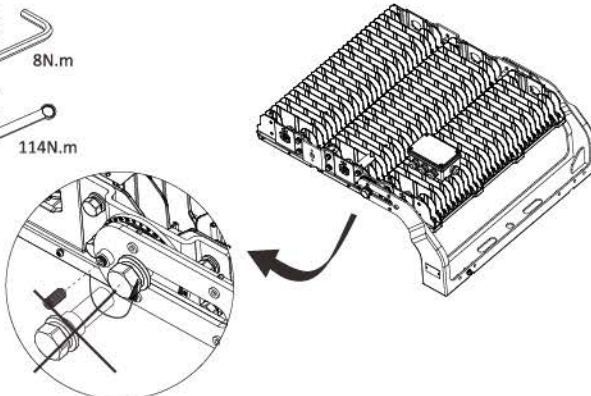
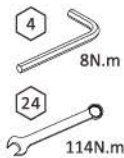


! 1xM20 with extra large washer(not provided)

! 2xM20 with extra large washer(not provide)

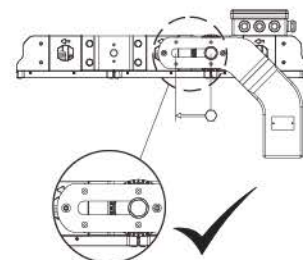
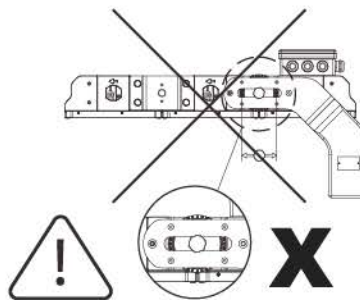
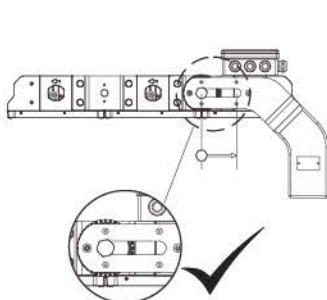


In case of using only one fixation point and if the luminaire is higher >3m, the use of a 2nd fixing security system is needed.



600W-1800W rotatable angle

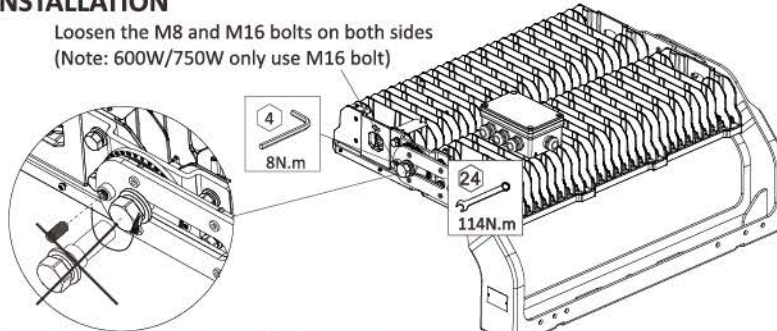
Don't pull out the bolt when you rotate the luminaire



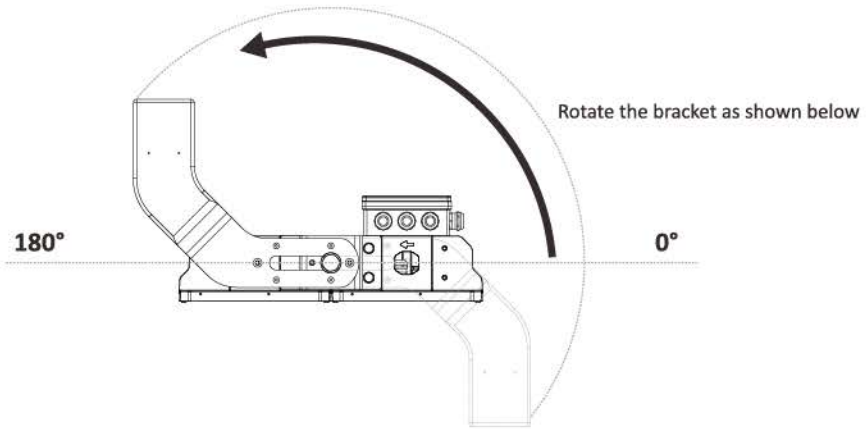
UNDERSLUNG INSTALLATION

600W-1500W

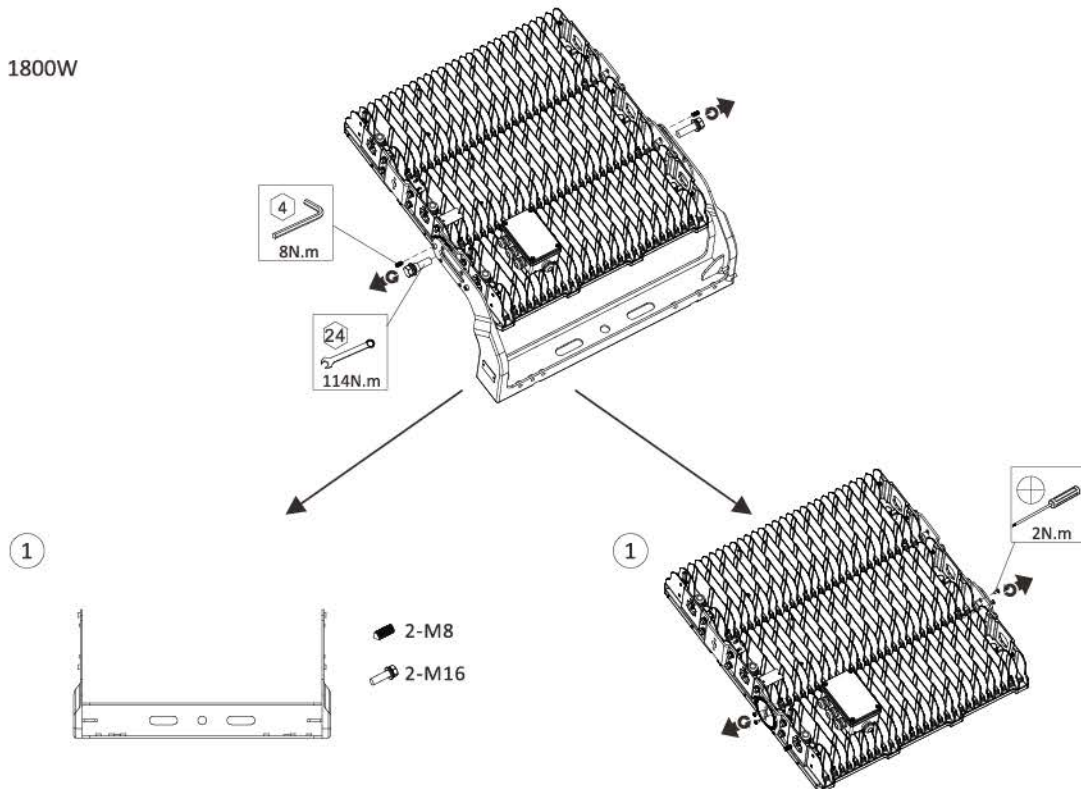
Loosen the M8 and M16 bolts on both sides
(Note: 600W/750W only use M16 bolt)



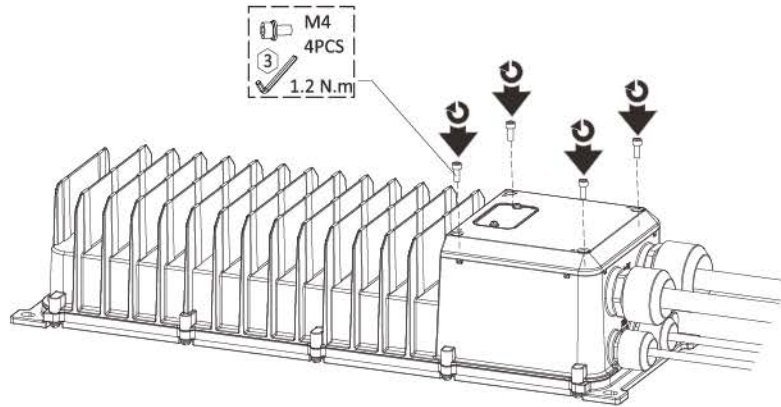
Don't pull out the bolt when you rotate the luminaire



1800W

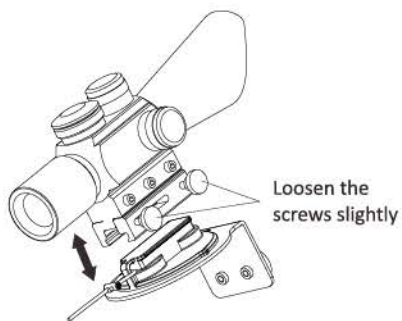


④

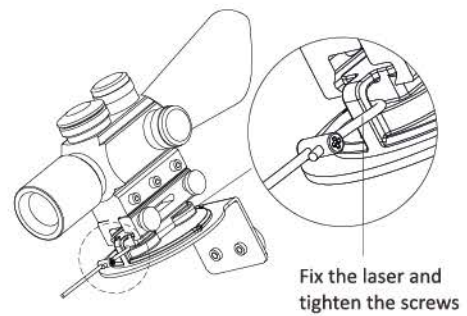


AIMING DEVICE MOUNT

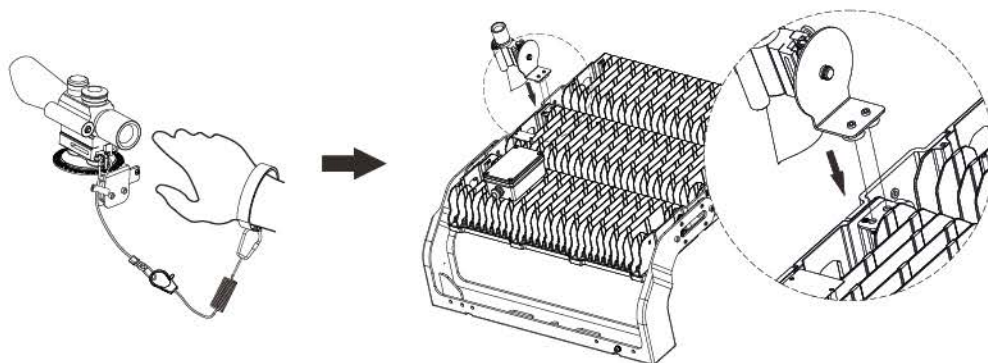
①

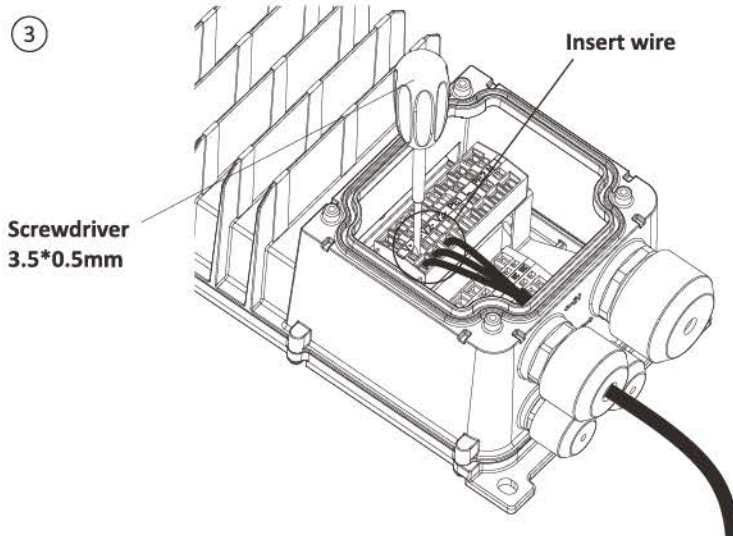


②

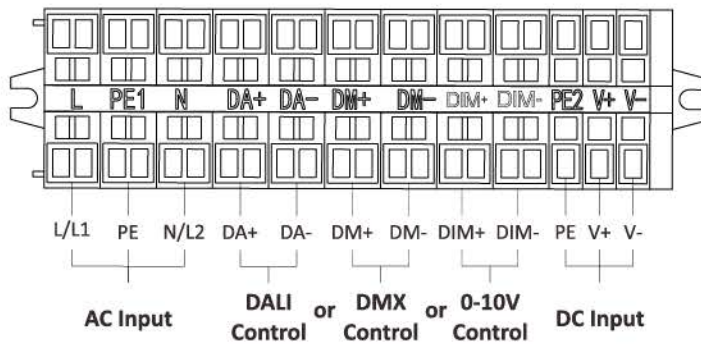


③

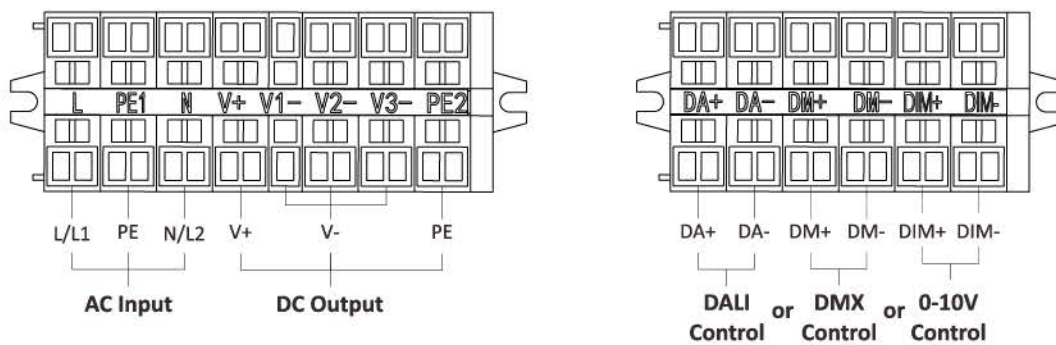




AHF-800SP-400DD/AHF-1K2SP-400DD



AHF-1K8SP-400DD



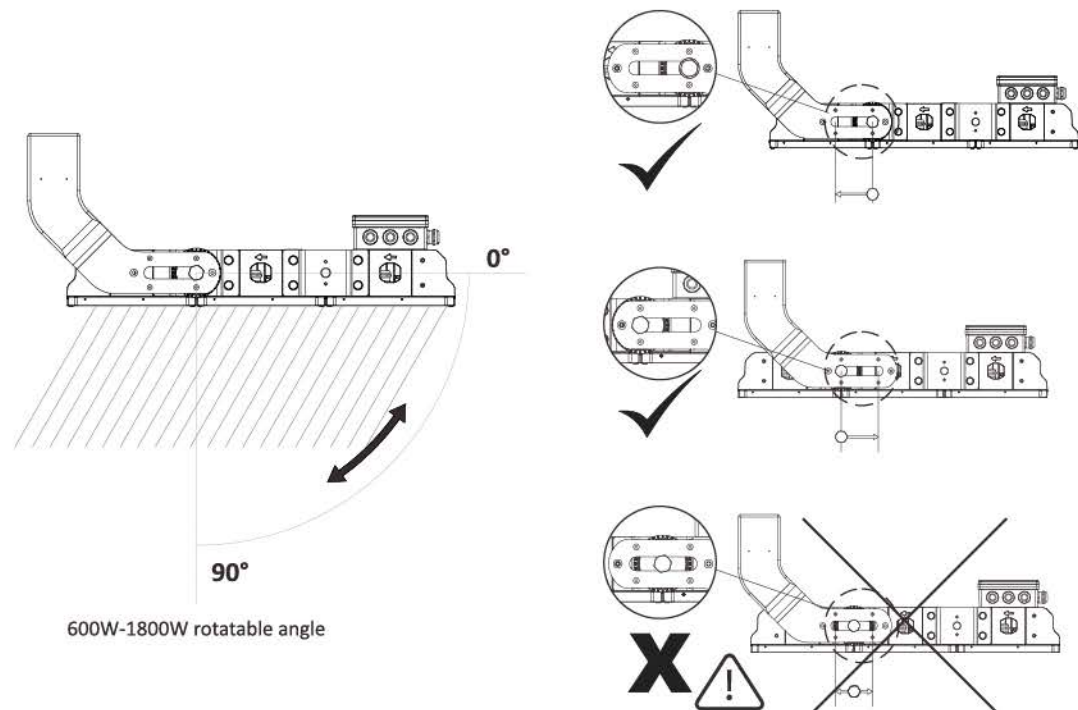
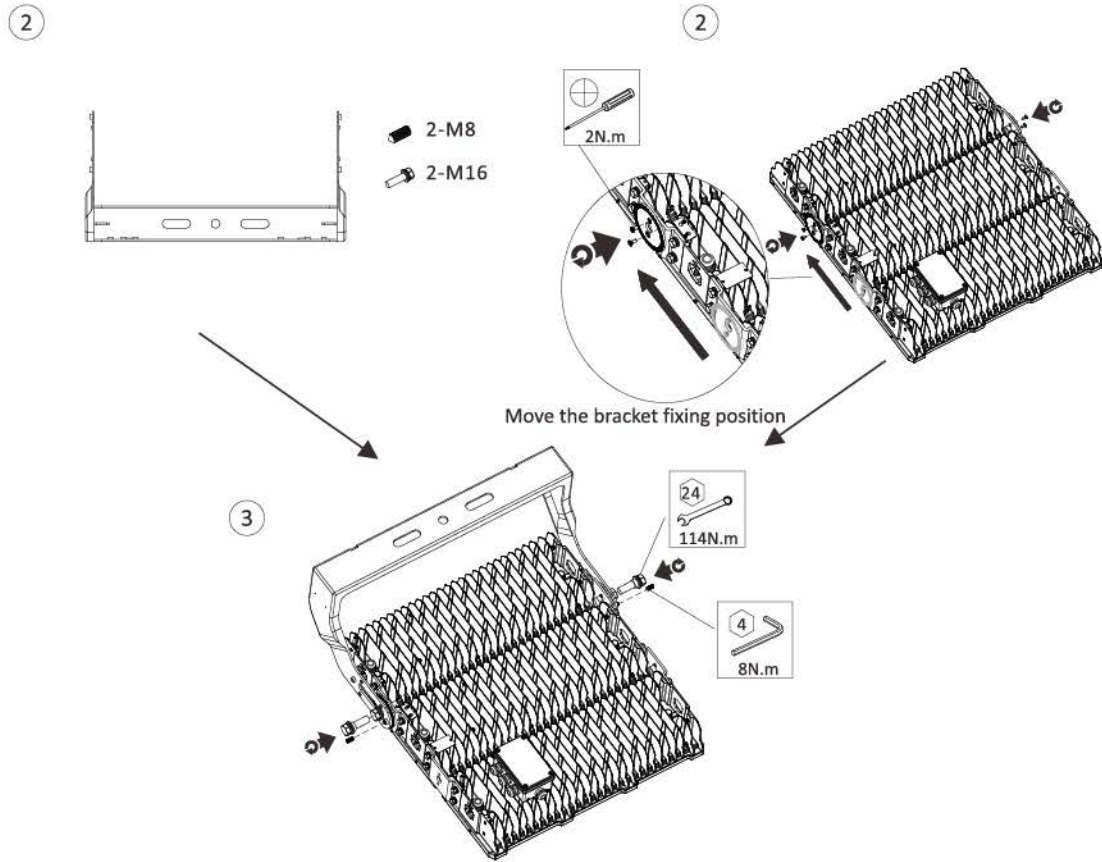
Sky

SLC8943
SLC8944
SLC8945

SLC8946
SLC8947
SLC8948

SLC

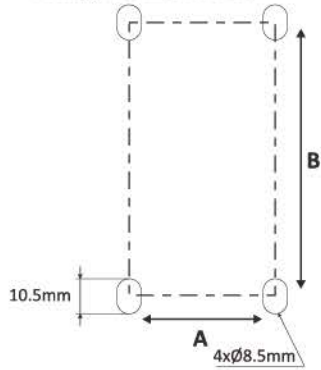
Developed by
The Light Group



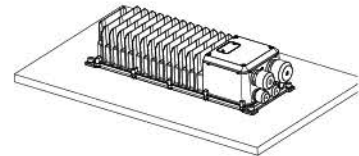
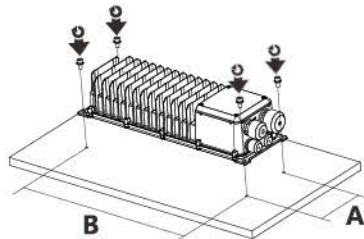
REMOTE DRIVER BOXES INSTALLATION

A. Installation of driver boxes on surface

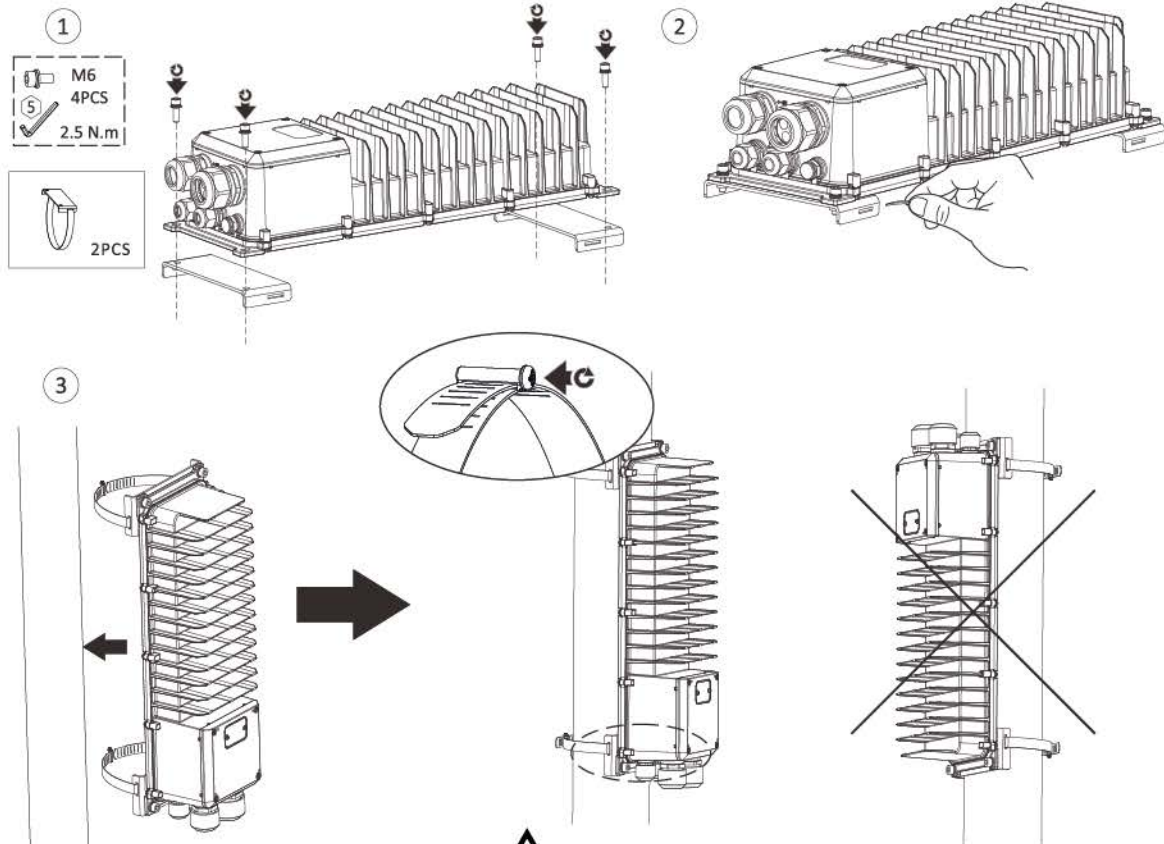
Drilling recommendation



Driver Model	AHF-800SP-400DD	AHF-1K2SP-400DD	AHF-1K8SP-400DD
Distance A	137.6mm	137.6mm	137.6mm
Distance B	400mm	400mm	468mm
Screws (not provided)	4xM6	4xM6	4xM6

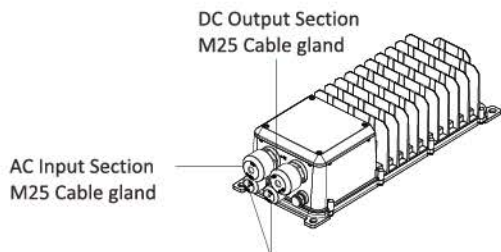


B. Installation of driver boxes on pole (optional)



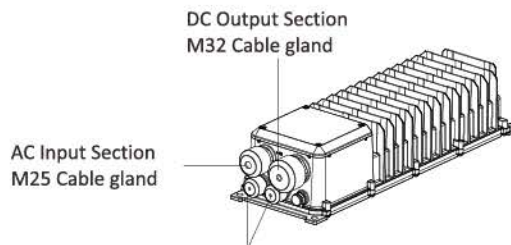
Cable glands oriented toward the ground.

Wiring driver box



Dim Control Section M16 Cable gland
(2*M16 cable gland for DALI/DMX loop in/out wiring)

AHF-800SP-400DD/AHF-1K2SP-400DD

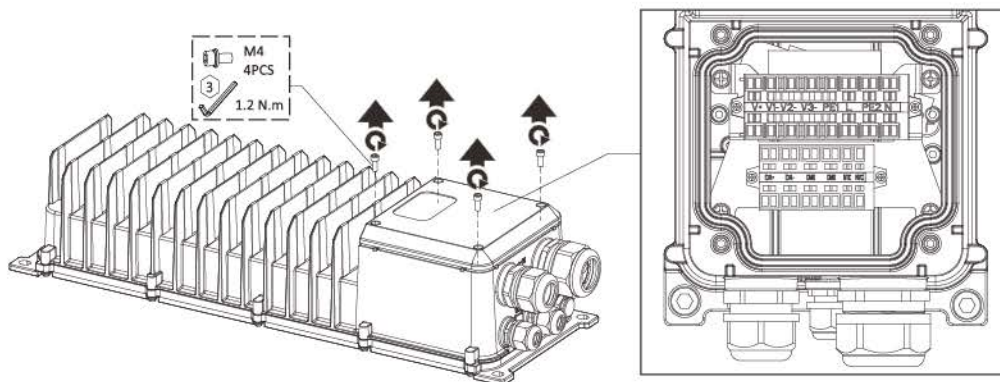


Dim Control Section M16 Cable gland
(2*M16 cable gland for DALI/DMX loop in/out wiring)

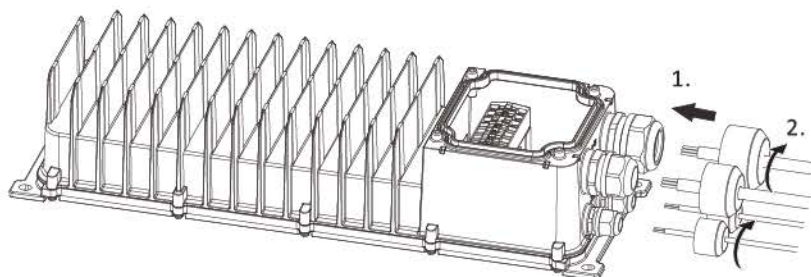
AHF-1K8SP-400DD

WATERPROOF CABLE GLAND		Ømin (mm)	Ømax (mm)	TORQUE	MAX VOLTAGE SUPPORTED	RATED CURRENT	CONNECTOR SECTION (mm ²)
DIM	M16	Ø5	Ø8.5	2.5 Nm	600V	20A	0.5mm ² -1.0mm ²
AC Input	M25	Ø13	Ø18	7.5 Nm	600V	20A	1.5mm ² -2.5mm ²
DC Output	M25	Ø10	Ø13	7.5 Nm	600V	20A	1.5mm ² -2.5mm ²
	M32	Ø10	Ø13	8 Nm	600V	20A	1.5mm ² -2.5mm ²

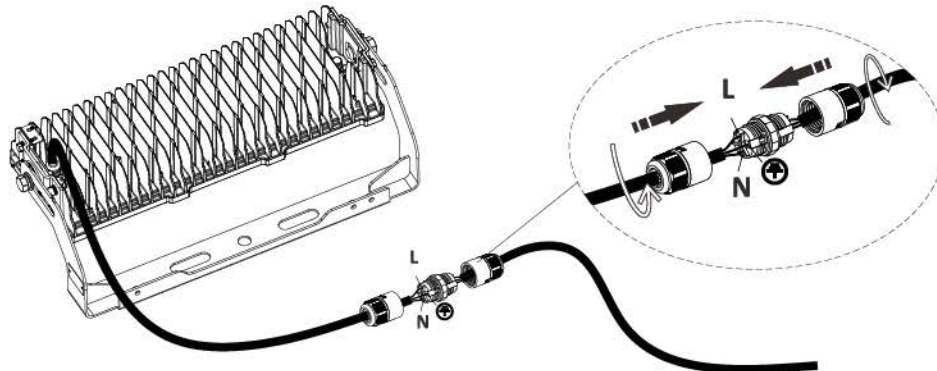
①



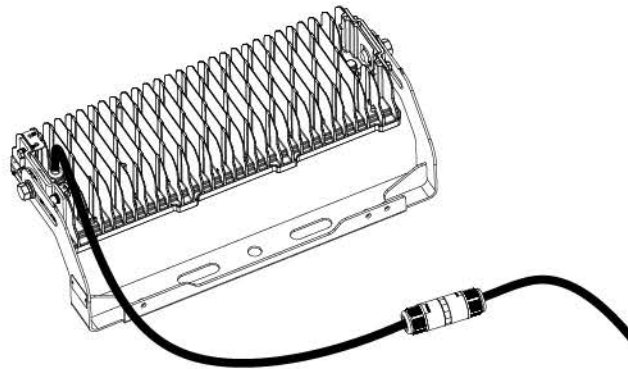
②



2



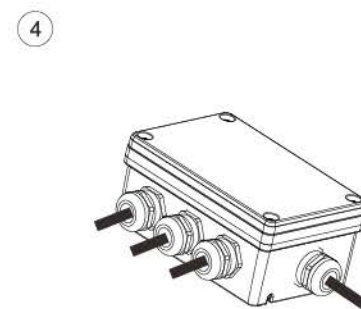
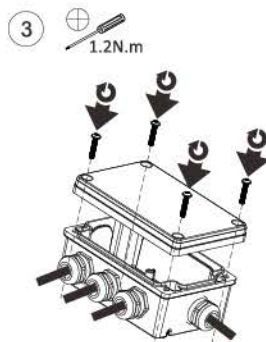
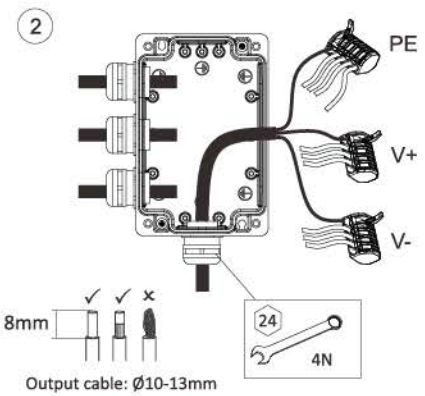
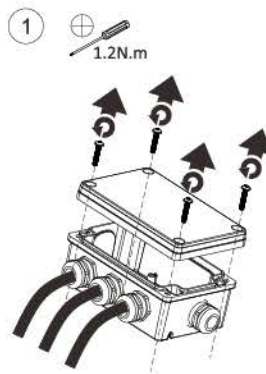
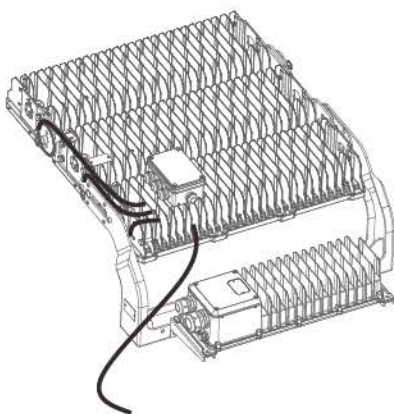
3



1200W-1800W

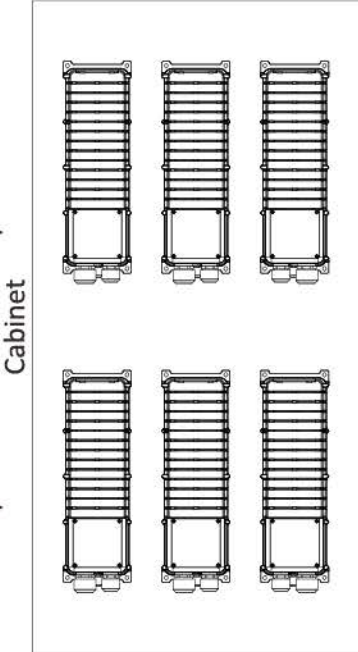
Wiring connection box

* Please ensure the PE wire is well connected for grounding purpose.



C. Installation of driver boxes in cabinet

Each driver box in the cabinet has to be in vertical position.



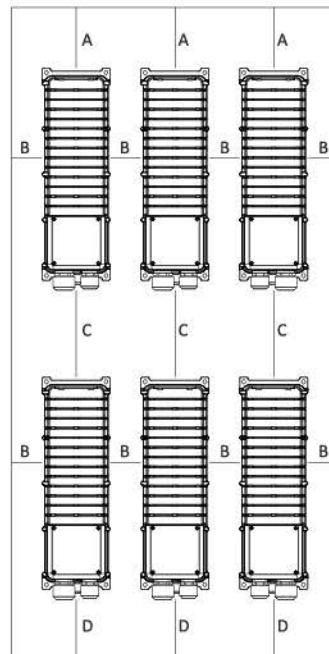
It is highly recommended to select a painted cabinet enclosure with high reflectance ratio to protect from solar radiant energy.



An active cooling can be added in the cabinet to guarantee a maximum temperature of 45°C all along the year.

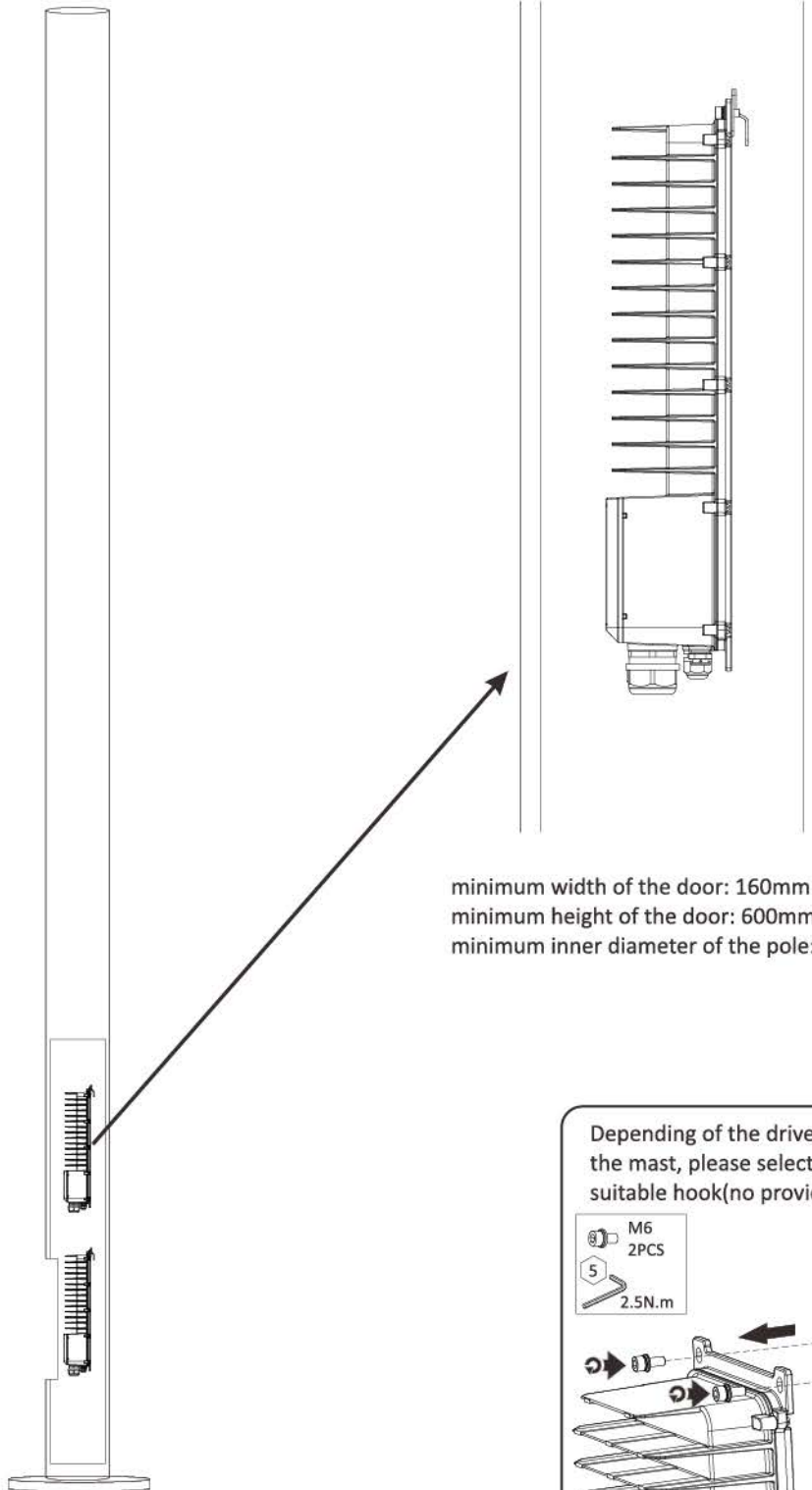
The distances between driver boxes or wall have to be higher than:

ITEM	DISTANCE
A	Min 80 mm
B	Min 80 mm
C	Min 120 mm
D	Min 150 mm



If you cannot follow the instructions, a thermal study must be done in order to respect Tc of the drivers below Tc max, Tc of the driver must be checked.

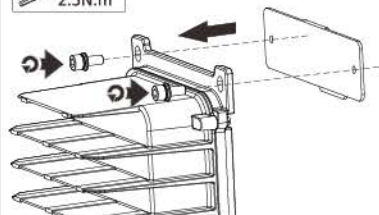
D. Installation of driver boxes in the mast(optional)



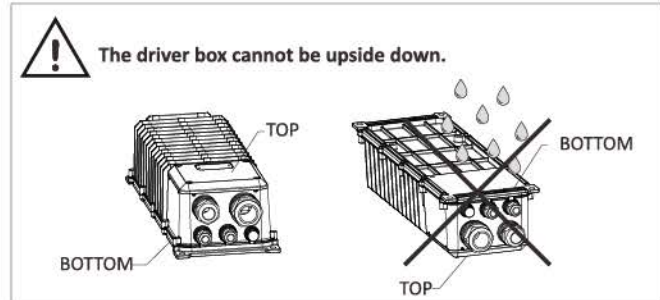
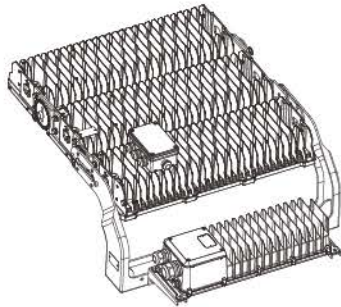
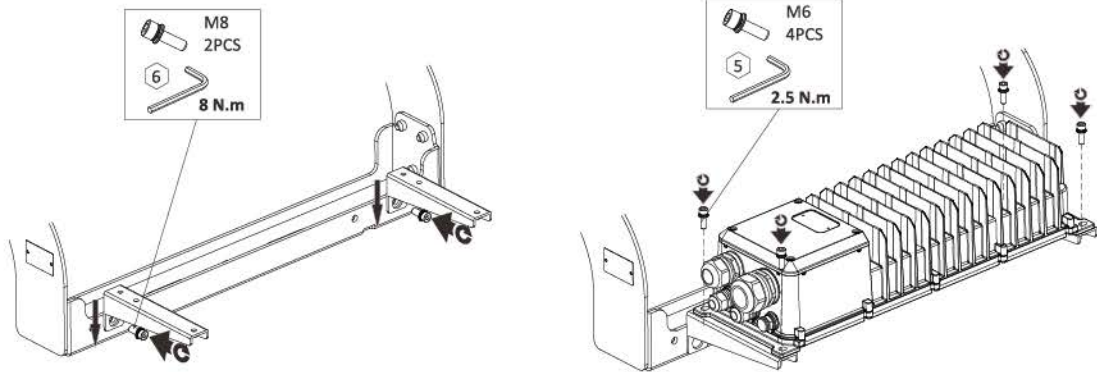
minimum width of the door: 160mm
minimum height of the door: 600mm
minimum inner diameter of the pole: 220mm

Depending of the driver fixation in the mast, please select the most suitable hook(no provided).

M6
2PCS
2.5N.m



INSTALLATION OF DRIVER BOXES ON THE LUMINAIRE



ELECTRICAL CONNECTION

600W-750W

①

