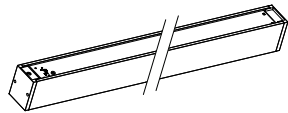
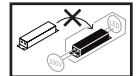


Click

SLC
Developed by
The Light Group



220-240V
50/60Hz



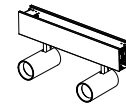
Luminaire

SLC8500 SLC Click 560 BK CCT 18W
SLC8502 SLC Click 1120 BK CCT 36W
SLC8504 SLC Click 1400 BK CCT 45W



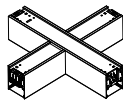
Uplight module

SLC8506 SLC Click up-light for 560 BK CCT 5.5W
SLC8508 SLC Click up-light for 1120 BK CCT 11W
SLC8510 SLC Click up-light for 1400 BK CCT 13.5W



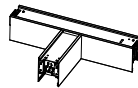
Spot module 2 x 15W

SLC8535 SLC Click Spot module BK 30W



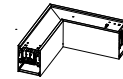
X Corner

SLC8533 SLC Click X Corner BK 18W



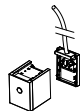
T Corner

SLC8527 SLC Click T Corner AC L BK 14W
SLC8529 SLC Click T Corner AC R BK 14W
SLC8531 SLC Click T Corner AC M BK 14W



L Corner (90°)

SLC8523 SLC Click L Corner AC R BK 10W
SLC8525 SLC Click L Corner AC L BK 10W



Endcap Pushdim + AC (3 wire)

SLC8514 SLC Click Endcap Pushdim BK + AC(1,5m cable)



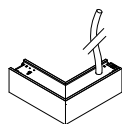
Endcap

SLC8516 SLC Click Endcap BK



Endcap AC (5 wire DALI)

SLC8512 SLC Click Endcap AC BK(1,5m cable)



L Corner Feeder (90°)

SLC8538 SLC Click L Corner AC R Feeder BK 10W(1,5m cable)



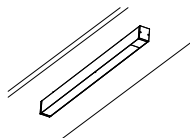
Joint Plate

SLC8522 SLC Click Joint Plate



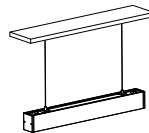
Prismatic roll 20m

SLC8537 SLC Click Prismatic roll 20m



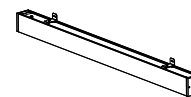
Surface mounting

SLC8519



Suspension mounting (1,5m)

SLC8518



Wall mounting

SLC8521

Please read the whole manual before installing



NO: Må installeres av godkjent installator
EN: Only to be installed by an authorized electrician
DE: Nur von einer autorisierten Elektrofachkraft installieren lassen
FI: Asenna vain valtuutettu sähköasentaja
FR: Seulement pour être installé par un électricien autorisé
IS: Aðeins skal setja upp af viðurkenndum rafvirkri
ES: Solo para ser instalado por un electricista autorizado.
IT: Solo per essere installato da un elettricista autorizzato

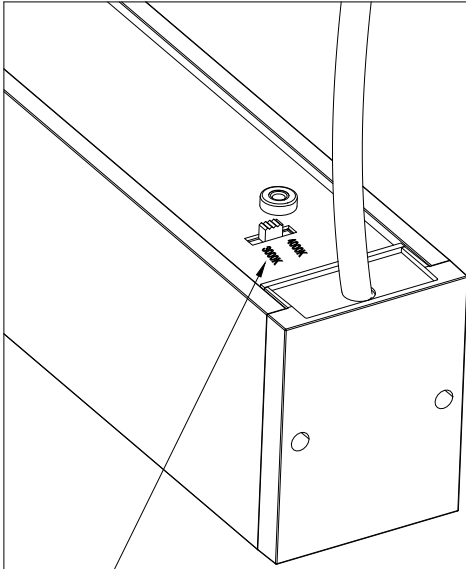


NO: Slå av strømmen før montering
EN: Power off before installing
DE: Schalten Sie vor der Installation die Stromversorgung aus
FI: Katkaise virta ennen asennusta
FR: Couper le courant avant d'installer
IS: Slökktu á orku áður en þú setur upp
ES: Apague la alimentación antes de instalar
IT: Spegnerne l'alimentazione prima di installare



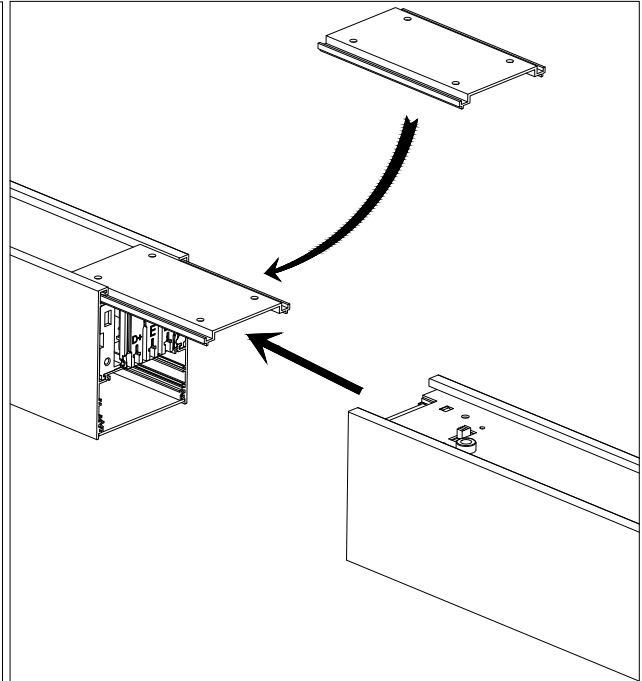
Management, Operation
and Maintenance

Click



Color temperature switch

There is a color temperature selection switch behind the lamp, you can choose between 3000 and 4000 Kelvin.



Insert the reinforcing plate into the slot on the back of the lamp

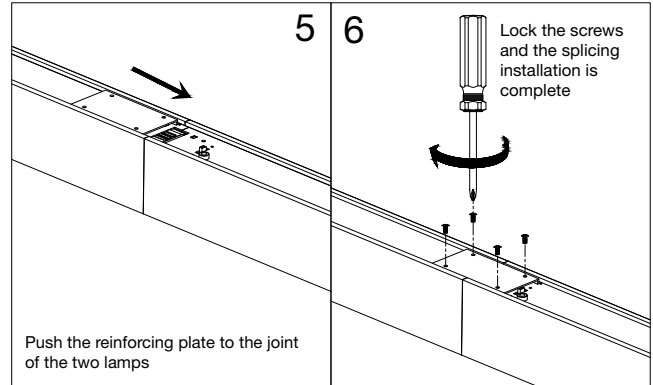
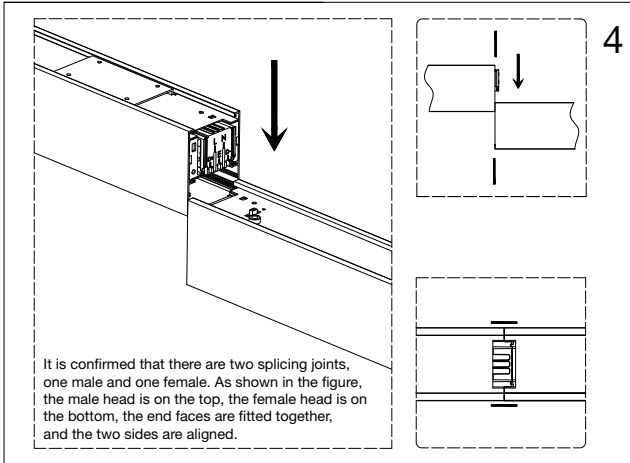
Please Note. When using the push dim module, do not connect the luminaire to the DALI system.

- 1 Cable to be connected to 230V when ready.
- 2 Install the end caps on the light fixture, If the luminaire already has installed the end cover, skip the following steps
- 3 Lock the end cover with screws, and the electrical installation is complete

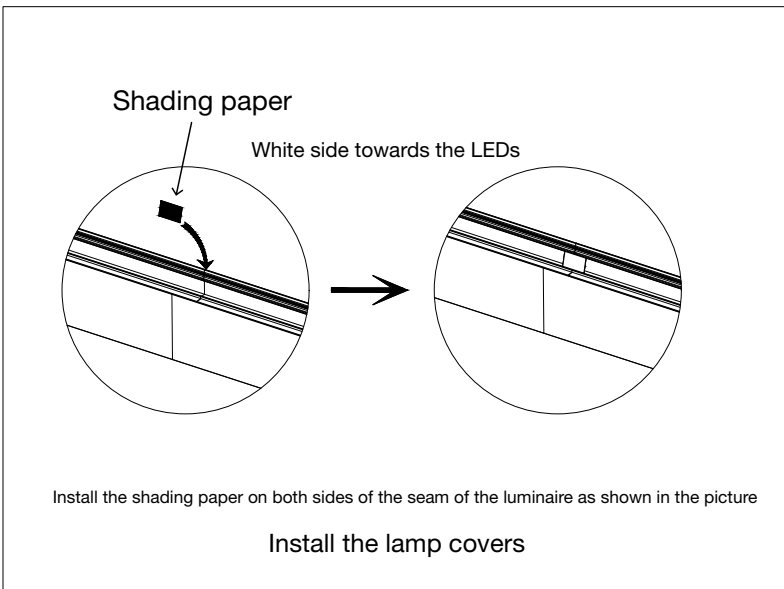
Add upright module

- 1 Open the end cover without the color temperature switch
- 2 The plug end of the upright module is inserted into the card slot on the back of the lamp
- 3

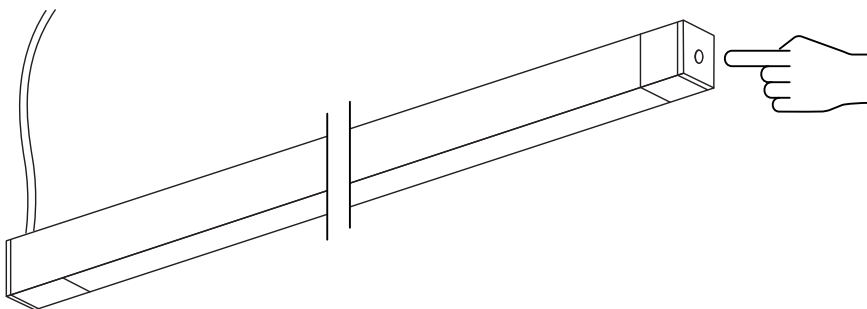
Click



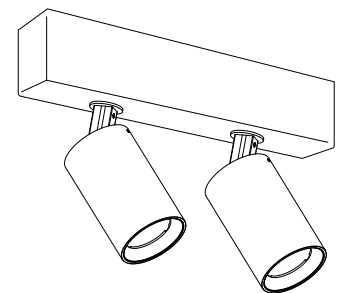
Wire suspender can also be mounted on joint plate



When installing a system of SLC Click luminaires to a project.
To synchronize the dimming range, hold the dimmer button for 30 sec. (if needed)



Remember to set the correct colour temperature **before** installing the spot lights



Surface mounting

① Choose the appropriate installation distance according to the size of the luminaire, drill four Ø6mm installation holes, and install expansion screws

② Install the ceiling mount

③ Put the ceiling fixture into the groove on the back of the luminaire

④ Turn the ceiling mount handle

⑤ Turn the handle to the position a as shown in the figure to confirm that the luminaire is locked

⑥ The installation is complete

SLC8519

Suspension mounting

Choose the appropriate installation distance according to the size of the luminaire, drill two Ø6mm installation holes, and install expansion screws

Fix the steel wire with M4*30 screws

Fix the pendant to the Mounting cap with M5*10 screws

Insert the movable end of the wire rope into the wire fixing piece, and pass through the side hole as shown in Figure D. Tighten the wire rope locking piece and the wire fixing piece as shown in Figure E. Adjust the wire rope to the appropriate height by pressing the bottom of the wire rope locking part as shown in Figure F.

As shown in Figure A, put the pendant on the back of the luminaire, turn clockwise, turn to the position in Figure B, and then lock the pendant with M4*8

The installation is complete

SLC8518

Wall mounting

Put the wall-mounted accessories in the right place behind the luminaire as shown in the picture

Turn the accessories to the position shown in the figure, and lock the screws

Install the two wall-mounted accessories as shown

A → B → C

(A) Drill two Ø6mm mounting hole according to the luminaire size
(B) Drive the expansion rubber into the installation hole
(C) Screw the luminaire into the mounting hole

SLC8521